



MAGNUM SPLIT WAFER PN 63-100 ANSI 600

ACCIAIO INOX *STAINLESS STEEL*



ESECUZIONE STANDARD

- Sfera flottante contenuta, passaggio totale
- Tenuta soft-seat: DEVLON
- Norme per flange d'attacco EN 1092-1 ed. 2008; ANSI B16.5
- Temperature di utilizzo vedi diagramma pressione temperatura
- Classe di pressione: PN63-100; ANSI 600
- Classe di tenuta: EN12266-1 rate A
- Fluido intercettato: aria, acqua, gas, prodotti petroliferi e petrolchimici, fluidi aggressivi.
- Antistatic device EN12266-2
- Tenuta stelo: pacco a V di serie in TFM
- Tenuta addizionale su stelo con O-ring FKM
- Stelo anti Blow-out
- Foratura piano per attuatore a norma ISO 5211
- Angolo di chiusura >7°

STANDARD FEATURES

- No protruding floating ball, full bore
- Soft-seat seal: DEVLON
- Standard for connecting flanges: EN 1092-1 ed. 2008; ANSI B16.5
- Operating temperature see temperature pressure diagram
- Pressure class: PN63-100 - ANSI 600
- Tightness Class: EN12266-1 rate A
- Intercepted fluid: air, water, gas, petroleum and petrochemical products, aggressive fluids
- Antistatic device EN12266-2
- Stem seal: TFM 1600 V-pack
- Additional seal on stem with FKM O-ring
- Anti Blow-out stem
- Actuator connection as per standard ISO 5211
- Closing angle >7°

ESECUZIONI A RICHIESTA

- Per altri tipi di flangiature contattare il nostro ufficio commerciale.
- Guarnizioni di tenuta in: PTFE caricato vetro (RPTFE-GF), PTFE caricato carbografite (RPTFE-CF). Per altri tipi di materiale contattare il nostro ufficio commerciale
- Esecuzione monodirezionale con foro di compensazione della pressione nella sfera
- Leva inox
- Dadi e molle stelo inox
- Per esecuzioni con materiali (corpo/sfera/stelo) diversi dallo standard contattare il nostro ufficio commerciale
- Marcatura e certificato ATEX A RICHIESTA

FEATURES ON REQUEST

- For other flange types please contact our sales department.
- Sealing in: PTFE reinforced with glass (RPTFE-GF), PTFE reinforced with carbon-graphite (RPTFE-CF). For other types of materials please contact our sales department
- Mono-directional version with pressure-relief hole in the ball
- Stainless steel lever
- Stainless steel Stem nuts and springs
- For versions in materials different from the standard (body, ball, stem), please contact our sales department.
- Marking and certificate ATEX ON REQUEST

CERTIFICAZIONI

- Conforme alla direttiva Europea 2014/68/EU PED; Fugitive Emission ISO 15848 (ISO FE BH-C03-SSA 0); TA-LUFT VDI 2440; FIRE SAFE: ISO 10497 / API 607
- Livello di sicurezza funzionale fino a SIL 3 in accordo a IEC 61508
- Conforme alla direttiva ATEX 2014/34/EU, certificato ATEX A RICHIESTA

CERTIFICATIONS

- In compliance with European Directive 2014/68/EU PED; Fugitive Emission ISO 15848 (ISO FE BH-C03-SSA 0); TA-LUFT VDI 2440; FIRE SAFE: ISO 10497 / API 607
- Safety integrity level up to SIL 3 according to the IEC 61508
- In compliance with ATEX 2014/34/EU Directive, ATEX certificate ON REQUEST.

NORME DI PROGETTAZIONE

- Spessori corpo in accordo a: ASME B16.34, ASME VIII div.1, EN 12516.
- Materiali e rating in accordo ad ASME B16.34 per valvole ANSI ed EN 12516 per valvole PN

ENGINEERING STANDARD

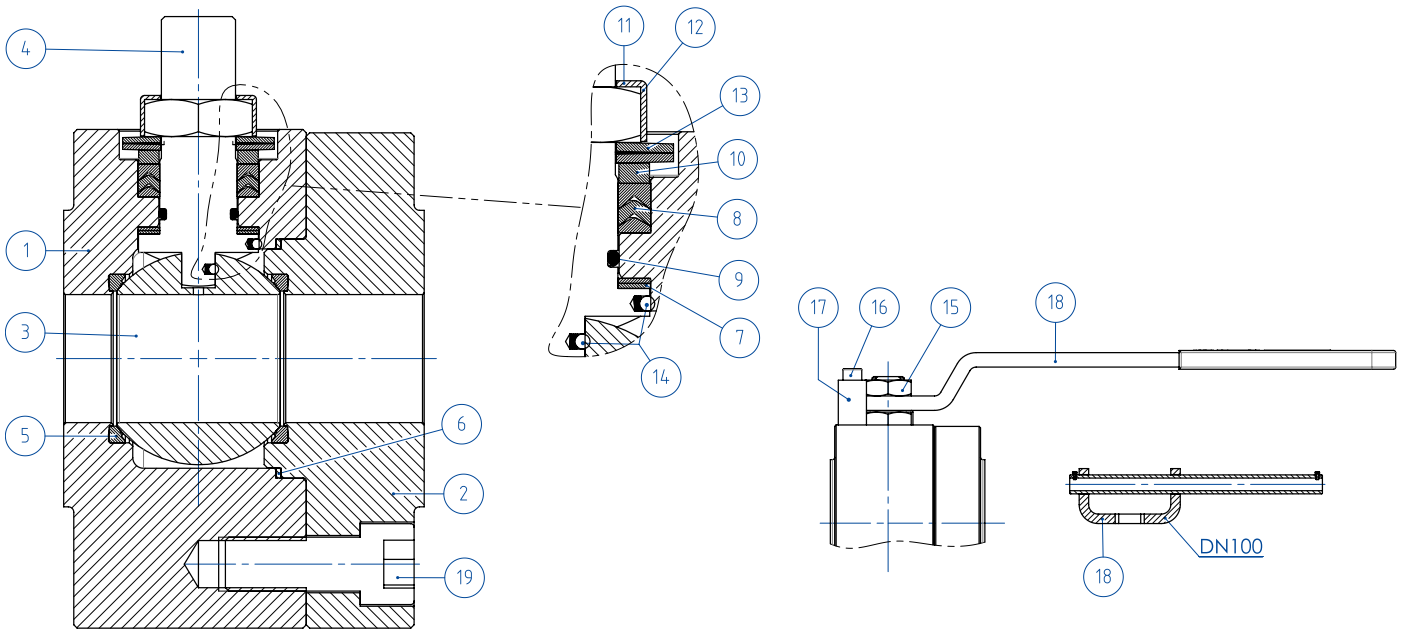
- Body thickness in compliance with: ASME B16.34, ASME VIII div.1, EN 12516.
- Materials and rating in compliance with ASME B16.34 for ANSI valves and EN 12516 for PN valves



MAGNUM SPLIT WAFER - PN 63-100 ANSI 600

ACCIAIO INOX STAINLESS STEEL

TABELLA DEI MATERIALI MATERIALS TABLE



MATERIALI MATERIALS SPLIT WAFER PN63-100 ANSI 600 acciaio inox stainless steel

N°	Descrizione Description	316 Stainless steel
1	Corpo Body	ASTM A182 F316 / A479TP.316 (x)
2	Ghiera Ring nut	(1.4401 / X5CrNiMo17-12-2)
3	Sfera Ball	ASTM A351 CF8M (1.4408/GX5CrNiMo19-12-2)
4	Stelo Stem	A564 TP.630 (17-4PH)
5*	Seggio Seat	DEVLON
6*	Guarnizione corpo ghiera Body-ring nut gasket	GRAFOIL
7*	Tenuta inferiore stelo Stem lower sealing	TFM1600 (.) ●
8*	Pacco a V Chevron rings	TFM1600 (.)
9*	O-ring stelo Stem o-ring	FKM (.)
10	Anello premiguarnizione Packing gland ring	304 S.S.
11	Piastra blocca dado Stop nut plate	304 S.S.
12	Dado stelo Stem nut	UNI 3740-1 6S ZINCATO-Galvanized (x)
13	Molle a tazza Springs washer	50CrV4 ZINCATO-Galvanized (xx)
14	Dispositivo antistatico Antistatic device	316 S.S.
19	Vite corpo-ghiera Body-ring nut screw	A2-70 UNI 3740 (304 S.S.)
15	Controdado Lock nut	UNI 3740-1 6S ZINCATO-Galvanized (x)
16	Vite di fermo Holder screw	A2-70 UNI 3740 (304 S.S.)
17	Fermo di posizione Holder screw	Acciaio al carbonio zincato Carbon steel galvanized (x)
18	Leva Lever	Fe37 zincato - Galvanized (x)

* Componenti del kit di guarnizioni Components of seals kit

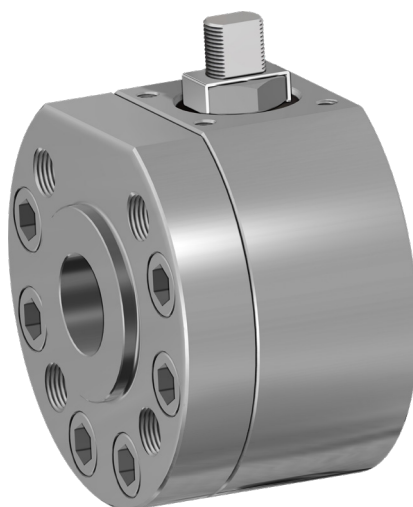
A richiesta disponibile in: Available on request:

(x): 304 s.s.

(xx): 301 s.s.

●: per ≤DN32 disponibile solo in DEVLON for ≤DN32 available only in DEVLON

(.): Altri materiali disponibili a richiesta Other materials available on request

**MAGNUM SPLIT WAFER - PN 63-100 ANSI 600****ACCIAIO INOX STAINLESS STEEL****ASSE LIBERO E CON LEVA FREE SHAFT AND WITH LEVER****CODICI VALVOLE ASSE LIBERO (V__) E CON LEVA (L__) IN ACCIAIO INOX -PN-
STAINLESS STEEL BARE SHAFT (V__) AND LEVER (L__) OPERATED VALVE CODE -PN-**

MISURA SIZE		PN	316 Stainless steel
DN [mm]	[inch]		
DN 15	1/2"	PN 63-100	V/LM404N00ABA0AAMRV000
DN 20	3/4"	PN 63-100	V/LM405N00ABA0AAMRV000
DN 25	1"	PN 63-100	V/LM406N00ABA0AAMRV000
DN 32	1" 1/4	PN 63-100	V/LM407N00ABA0AAMRV000
DN 40	1" 1/2	PN 63-100	V/LM408N00ABA0AAMNV000
DN 50	2"	PN 63	V/LM409K00ABA0AAMNV000
DN 50	2"	PN 100	V/LM409L00ABA0AAMNV000
DN 65	2" 1/2	PN 63	V/LM410K00ABA0AAMNV000
DN 65	2" 1/2	PN 100	V/LM410L00ABA0AAMNV000
DN 80	3"	PN 63	V/LM411K00ABA0AAMNV000
DN 80	3"	PN 100	V/LM411L00ABA0AAMNV000
DN 100	4"	PN 63	V/LM412K00ABA0AAMNV000
DN 100	4"	PN 100	V/LM412L00ABA0AAMNV000

**CODICI VALVOLE ASSE LIBERO (V__) E CON LEVA (L__) IN ACCIAIO INOX -ANSI-
STAINLESS STEEL BARE SHAFT (V__) AND LEVER (L__) OPERATED VALVE CODE -ANSI-**

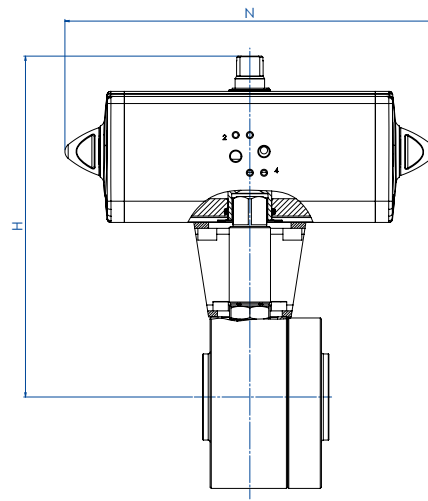
MISURA SIZE		ANSI	316 Stainless steel
DN [mm]	[inch]		
DN 15	1/2"	ANSI 600	V/LM404401ABA0AAMRV000
DN 20	3/4"	ANSI 600	V/LM405401ABA0AAMRV000
DN 25	1"	ANSI 600	V/LM406401ABA0AAMRV000
DN 32	1" 1/4	ANSI 600	V/LM407401ABA0AAMRV000
DN 40	1" 1/2	ANSI 600	V/LM408401ABA0AAMNV000
DN 50	2"	ANSI 600	V/LM409401ABA0AAMNV000
DN 65	2" 1/2	ANSI 600	V/LM410401ABA0AAMNV000
DN 80	3"	ANSI 600	V/LM411401ABA0AAMNV000
DN 100	4"	ANSI 600	V/LM412401ABA0AAMNV000



MAGNUM SPLIT WAFER - PN 63-100 ANSI 600

ACCIAIO INOX *STAINLESS STEEL*

CON ATTUATORE PNEUMATICO DOPPIO EFFETTO *WITH DOUBLE ACTING PNEUMATIC ACTUATOR*



CODICI ARTICOLI IN 316 ACCIAIO INOX -PN- *ITEM CODES IN 316 STAINLESS STEEL -PN-*

MISURA <i>SIZE</i>		PN	CODICE ARTICOLO -316- <i>ITEM CODE -316-</i>	ATTUATORE <i>ACTUATOR</i>	KIT di montaggio <i>Mounting KIT</i>	N [mm]	H [mm]	Peso Kg <i>Weight Kg</i>
DN [mm]	[inch]							
DN 15	1/2"	PN 63-100	DM404N00ABA0AAMRV000AFCA0	DAN0030411S	KCNBCHD5340	174,2	179,2	5,9
DN 20	3/4"	PN 63-100	DM405N00ABA0AAMRV000AFDA0	DAN0045412S	KCNBCHD5341	188,5	189,5	8,6
DN 25	1"	PN 63-100	DM406N00ABA0AAMRV000AFE0	DAN0060412S	KCNCCHD5342	198,0	200,4	9,3
DN 32	1" 1/4	PN 63-100	DM407N00ABA0AAMRV000AFGA0	DAN0106411S	KCNCCHD5343	237,0	218,3	12,6
DN 40	1" 1/2	PN 63-100	DM408N00ABA0AAMNV000AFHA0	DAN0120411S	KCNDDHD5344	244,1	218,3	17,1
DN 50	2"	PN 63	DM409K00ABA0AAMNV000AFIA0	DAN0180411S	KCNDDHD5345	289,9	276,5	22,3
DN 50	2"	PN 100	DM409L00ABA0AAMNV000AFIA0	DAN0180411S	KCNDDHD5345	289,9	276,5	25,3
DN 65	2" 1/2	PN 63	DM410K00ABA0AAMNV000AFJA0	DAN0240411S	KCNEEHD5346	313,6	315,1	36,8
DN 65	2" 1/2	PN 100	DM410L00ABA0AAMNV000AFJA0	DAN0240411S	KCNEEHD5347	313,6	322,1	40,5
DN 80	3"	PN 63	DM411K00ABA0AAMNV000AFKA0	DAN0360411S	KCNEEHD5346	339,3	329,5	43,3
DN 80	3"	PN 100	DM411L00ABA0AAMNV000AFKA0	DAN0360411S	KCNEEHD5347	339,3	336,5	48,7
DN 100	4"	PN 63	DM412K00ABA0AAMNV000AFMA0	DAN0720411S	KCNFGHD5364	433,1	401,0	83,9
DN 100	4"	PN 100	DM412L00ABA0AAMNV000AFMA0	DAN0720411S	KCNFGHD5364	433,1	401,0	83,6

CODICI ARTICOLI IN 316 ACCIAIO INOX -ANSI- *ITEM CODES IN 316 STAINLESS STEEL -ANSI-*

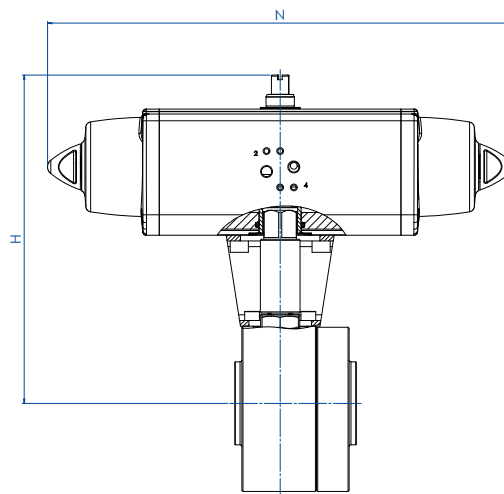
MISURA <i>SIZE</i>		ANSI	CODICE ARTICOLO -316- <i>ITEM CODE -316-</i>	ATTUATORE <i>ACTUATOR</i>	KIT di montaggio <i>Mounting KIT</i>	N [mm]	H [mm]	Peso Kg <i>Weight Kg</i>
DN [mm]	[inch]							
DN 15	1/2"	ANSI 600	DM404401ABA0AAMRV000AFCA0	DAN0030411S	KCNBCHD5340	174,2	179,2	5,9
DN 20	3/4"	ANSI 600	DM405401ABA0AAMRV000AFDA0	DAN0045412S	KCNBCHD5341	188,5	189,5	8,6
DN 25	1"	ANSI 600	DM406401ABA0AAMRV000AFE0	DAN0060412S	KCNCCHD5342	198,0	200,4	9,3
DN 32	1" 1/4	ANSI 600	DM407401ABA0AAMRV000AFGA0	DAN0106411S	KCNCCHD5343	237,0	218,3	12,6
DN 40	1" 1/2	ANSI 600	DM408401ABA0AAMNV000AFHA0	DAN0120411S	KCNDDHD5344	244,1	218,3	17,1
DN 50	2"	ANSI 600	DM409401ABA0AAMNV000AFIA0	DAN0180411S	KCNDDHD5345	289,9	276,5	22,3
DN 65	2" 1/2	ANSI 600	DM410401ABA0AAMNV000AFJA0	DAN0240411S	KCNEEHD5346	313,6	315,1	36,8
DN 80	3"	ANSI 600	DM411401ABA0AAMNV000AFKA0	DAN0360411S	KCNEEHD5346	339,3	329,5	43,3
DN 100	4"	ANSI 600	DM412401ABA0AAMNV000AFMA0	DAN0720411S	KCNFGHD5365	433,1	404,0	83,9



MAGNUM SPLIT WAFER - PN 63-100 ANSI 600

ACCIAIO INOX *STAINLESS STEEL*

CON ATTUATORE PNEUMATICO SEMPLICE EFFETTO *WITH SPRING RETURN PNEUMATIC ACTUATOR*



CODICI ARTICOLI IN 316 ACCIAIO INOX -PN- *ITEM CODES IN 316 STAINLESS STEEL -PN-*

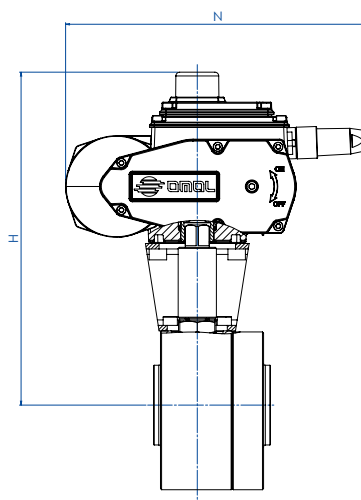
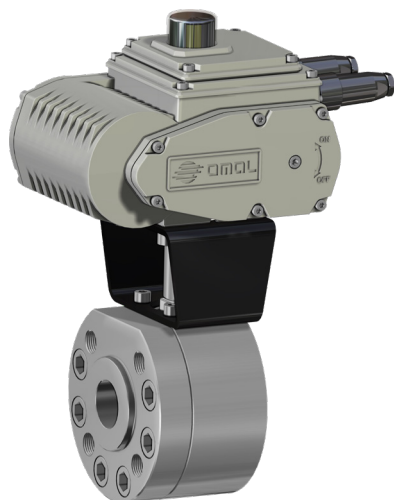
MISURA DN [mm]	SIZE [inch]	PN	CODICE ARTICOLO -316- ITEM CODE -316-	ATTUATORE ACTUATOR	KIT di montaggio Mounting KIT	N [mm]	H [mm]	Peso Kg Weight Kg
DN 15	1/2"	PN 63-100	SM404N00ABA0AAMRV000AFEA0	SRN0030402S	KCNBCHD5350	258,8	190,4	6,9
DN 20	3/4"	PN 63-100	SM405N00ABA0AAMRV000AFGA0	SRN0053401S	KCNBCHD5351	304,2	208,3	10,2
DN 25	1"	PN 63-100	SM406N00ABA0AAMRV000AFHA0	SRN0060401S	KCNCCHD5343	338,5	217,0	11,1
DN 32	1" 1/4	PN 63-100	SM407N00ABA0AAMRV000AFIA0	SRN0090401S	KCNCCHD5352	393,7	252,5	16,4
DN 40	1" 1/2	PN 63-100	SM408N00ABA0AAMNV000AFJA0	SRN0120401S	KCNDDHD5353	409,6	269,1	21,5
DN 50	2"	PN 63	SM409K00ABA0AAMNV000AFKA0	SRN0180401S	KCNDDHD5345	474,0	287,0	26,6
DN 50	2"	PN 100	SM409L00ABA0AAMNV000AFKA0	SRN0180401S	KCNDDHD5345	474,0	287,0	29,6
DN 65	2" 1/2	PN 63	SM410K00ABA0AAMNV000AFLA0	SRN0240401S	KCNEEHD5354	520,5	339,0	43,2
DN 65	2" 1/2	PN 100	SM410L00ABA0AAMNV000AFLA0	SRN0240401S	KCNEEHD5355	520,5	346,0	47,0
DN 80	3"	PN 63	SM411K00ABA0AAMNV000AFMA0	SRN0360401S	KCNEEHD5354	613,0	359,5	53,3
DN 80	3"	PN 100	SM411L00ABA0AAMNV000AFMA0	SRN0360401S	KCNEEHD5355	613,0	366,5	58,8
DN 100	4"	PN 63	SM412K00ABA0AAMNV000AFQA0	SRN0720401S	KCNGGHD5368	798,0	439,0	105,6
DN 100	4"	PN 100	SM412L00ABA0AAMNV000AFQA0	SRN0720401S	KCNGGHD5368	798,0	439,0	105,3

CODICI ARTICOLI IN 316 ACCIAIO INOX -ANSI- *ITEM CODES IN 316 STAINLESS STEEL -ANSI-*

MISURA DN [mm]	SIZE [inch]	ANSI	CODICE ARTICOLO -316- ITEM CODE -316-	ATTUATORE ACTUATOR	KIT di montaggio Mounting KIT	N [mm]	H [mm]	Peso Kg Weight Kg
DN 15	1/2"	ANSI 600	SM404401ABA0AAMRV000AFEA0	SRN0030402S	KCNBCHD5350	258,8	190,4	6,8
DN 20	3/4"	ANSI 600	SM405401ABA0AAMRV000AFGA0	SRN0053401S	KCNBCHD5351	304,2	208,3	8,2
DN 25	1"	ANSI 600	SM406401ABA0AAMRV000AFHA0	SRN0060401S	KCNCCHD5343	338,5	217,0	10,5
DN 32	1" 1/4	ANSI 600	SM407401ABA0AAMRV000AFIA0	SRN0090401S	KCNCCHD5352	393,7	252,5	14,7
DN 40	1" 1/2	ANSI 600	SM408401ABA0AAMNV000AFJA0	SRN0120401S	KCNDDHD5353	409,6	269,1	19,2
DN 50	2"	ANSI 600	SM409401ABA0AAMNV000AFKA0	SRN0180401S	KCNDDHD5345	474,0	284,0	25,6
DN 65	2" 1/2	ANSI 600	SM410401ABA0AAMNV000AFLA0	SRN0240401S	KCNEEHD5354	520,5	339,0	42,2
DN 80	3"	ANSI 600	SM411401ABA0AAMNV000AFMA0	SRN0360401S	KCNEEHD5354	613,0	359,5	52,2
DN 100	4"	ANSI 600	SM412401ABA0AAMNV000AFQA0	SRN0720401S	KCNGGHD5369	798,0	442,0	147,4



MAGNUM SPLIT WAFER - PN 63-100 ANSI 600
ACCIAIO INOX STAINLESS STEEL
CON ATTUATORE ELETTRICO WITH ELECTRIC ACTUATOR



CODICI ARTICOLI IN 316 ACCIAIO INOX -PN- ITEM CODES IN 316 STAINLESS STEEL -PN-

MISURA SIZE		PN	CODICE ARTICOLO -316- ITEM CODE -316-	ATTUATORE ACTUATOR	KIT di montaggio Mounting KIT	N [mm]	H [mm]	Peso Kg Weight Kg
DN [mm]	[inch]							
DN 15	1/2"	PN 63-100	EM404N00ABA0AAMRV000AMEG0	EA0035A5C000	KCNBCHD5350	250,0	237,0	8,5
DN 20	3/4"	PN 63-100	EM405N00ABA0AAMRV000AMEG0	EA0035A5C000	KCNBCHD5357	250,0	242,0	8,6
DN 25	1"	PN 63-100	EM406N00ABA0AAMRV000AMGG0	EA0070A5C000	KCNCCHD5342	250,0	247,0	11,5
DN 32	1" 1/4	PN 63-100	EM407N00ABA0AAMRV000AMGG0	EA0070A5C000	KCNCCHD5342	250,0	252,0	13,9
DN 40	1" 1/2	PN 63-100	EM408N00ABA0AAMNV000AMIG0	EA0130A5C000	KCNDDHD5344	280,0	285,5	21,7
DN 50	2"	PN 63	EM409K00ABA0AAMNV000AMIG0	EA0130A5C000	KCNDDHD5358	280,0	296,5	24,7
DN 50	2"	PN 100	EM409L00ABA0AAMNV000AMIG0	EA0130A5C000	KCNDDHD5358	280,0	296,5	27,7
DN 65	2" 1/2	PN 63	EM410K00ABA0AAMNV000AMKG0	EA0240A5C000	KCNEEHD5346	280,0	331,5	38,9
DN 65	2" 1/2	PN 100	EM410L00ABA0AAMNV000AMKG0	EA0240A5C000	KCNEEHD5347	280,0	338,5	42,6
DN 80	3"	PN 63	EM411K00ABA0AAMNV000AMNA0	AE160040	KCNEEHV5359	256,5	366,5	46,0
DN 80	3"	PN 100	EM411L00ABA0AAMNV000AMNA0	AE160040	KCNEEHV5360	256,5	373,5	51,5
DN 100	4"	PN 63	EM412K00ABA0AAMNV000AMTA0	AE160100	KCNFGHV5372	381,0	457,0	94,2
DN 100	4"	PN 100	EM412L00ABA0AAMNV000AMTA0	AE160100	KCNFGHV5372	381,0	457,0	93,9

CODICI ARTICOLI IN 316 ACCIAIO INOX -ANSI- ITEM CODES IN 316 STAINLESS STEEL -ANSI-

MISURA SIZE		ANSI	CODICE ARTICOLO -316- ITEM CODE -316-	ATTUATORE ACTUATOR	KIT di montaggio Mounting KIT	N [mm]	H [mm]	Peso Kg Weight Kg
DN [mm]	[inch]							
DN 15	1/2"	ANSI 600	EM404401ABA0AAMRV000AMEG0	EA0035A5C000	KCNBCHD5350	250,0	237,0	8,4
DN 20	3/4"	ANSI 600	EM405401ABA0AAMRV000AMEG0	EA0035A5C000	KCNBCHD5357	250,0	242,0	8,8
DN 25	1"	ANSI 600	EM406401ABA0AAMRV000AMGG0	EA0070A5C000	KCNCCHD5342	250,0	247,0	10,9
DN 32	1" 1/4	ANSI 600	EM407401ABA0AAMRV000AMGG0	EA0070A5C000	KCNCCHD5342	250,0	252,0	12,2
DN 40	1" 1/2	ANSI 600	EM408401ABA0AAMNV000AMIG0	EA0130A5C000	KCNDDHD5344	280,0	285,5	19,4
DN 50	2"	ANSI 600	EM409401ABA0AAMNV000AMIG0	EA0130A5C000	KCNDDHD5358	280,0	296,5	23,7
DN 65	2" 1/2	ANSI 600	EM410401ABA0AAMNV000AMKG0	EA0240A5C000	KCNEEHD5346	280,0	331,5	37,7
DN 80	3"	ANSI 600	EM411401ABA0AAMNV000AMNA0	AE160040	KCNEEHV5359	256,5	366,5	44,9
DN 100	4"	ANSI 600	EM412401ABA0AAMNV000AMTA0	AE160100	KCNFGHV5373	381,0	450,0	95,0

Articoli disponibili anche con attuatore modulante *Items available also with modulating actuator*