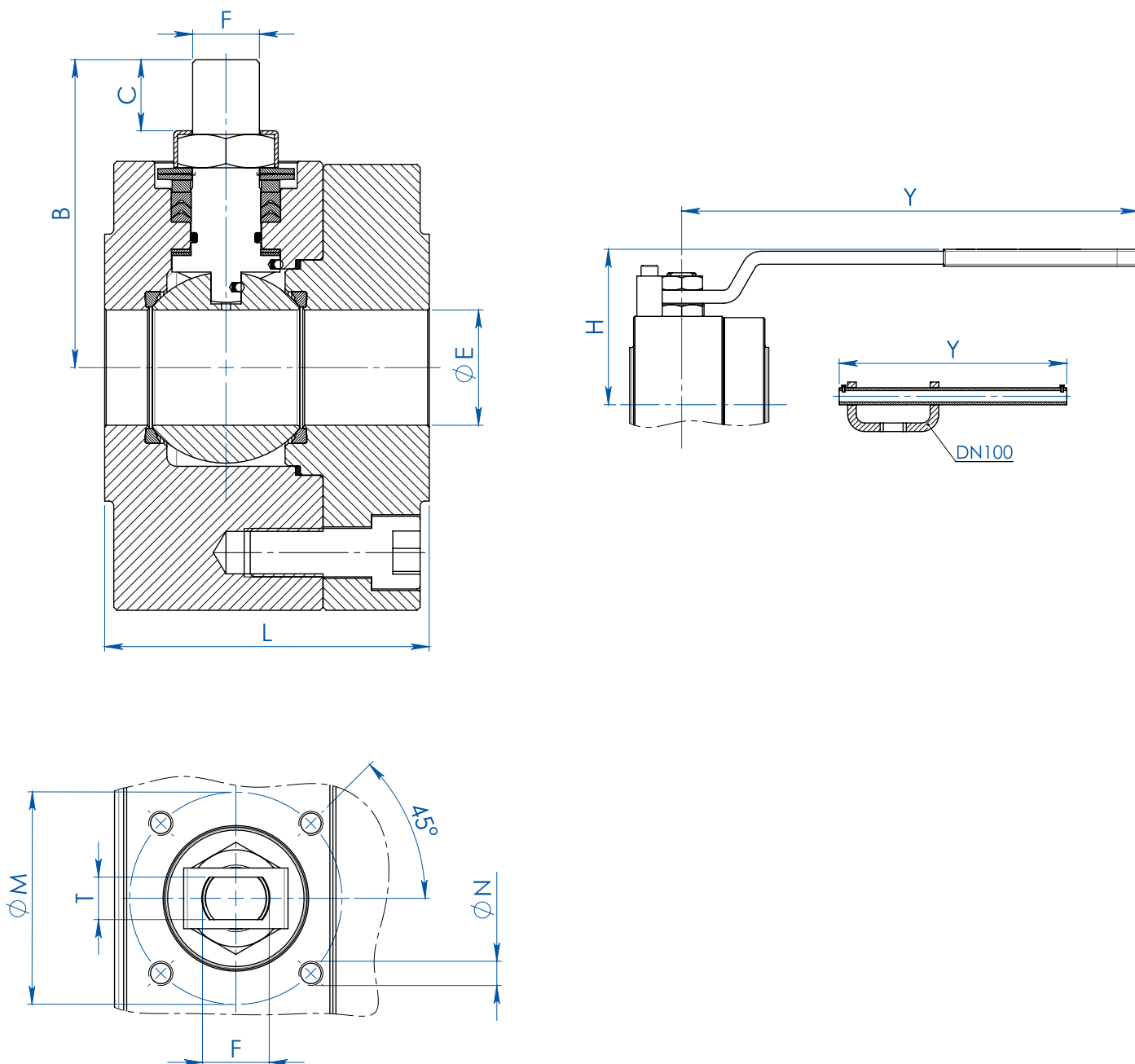




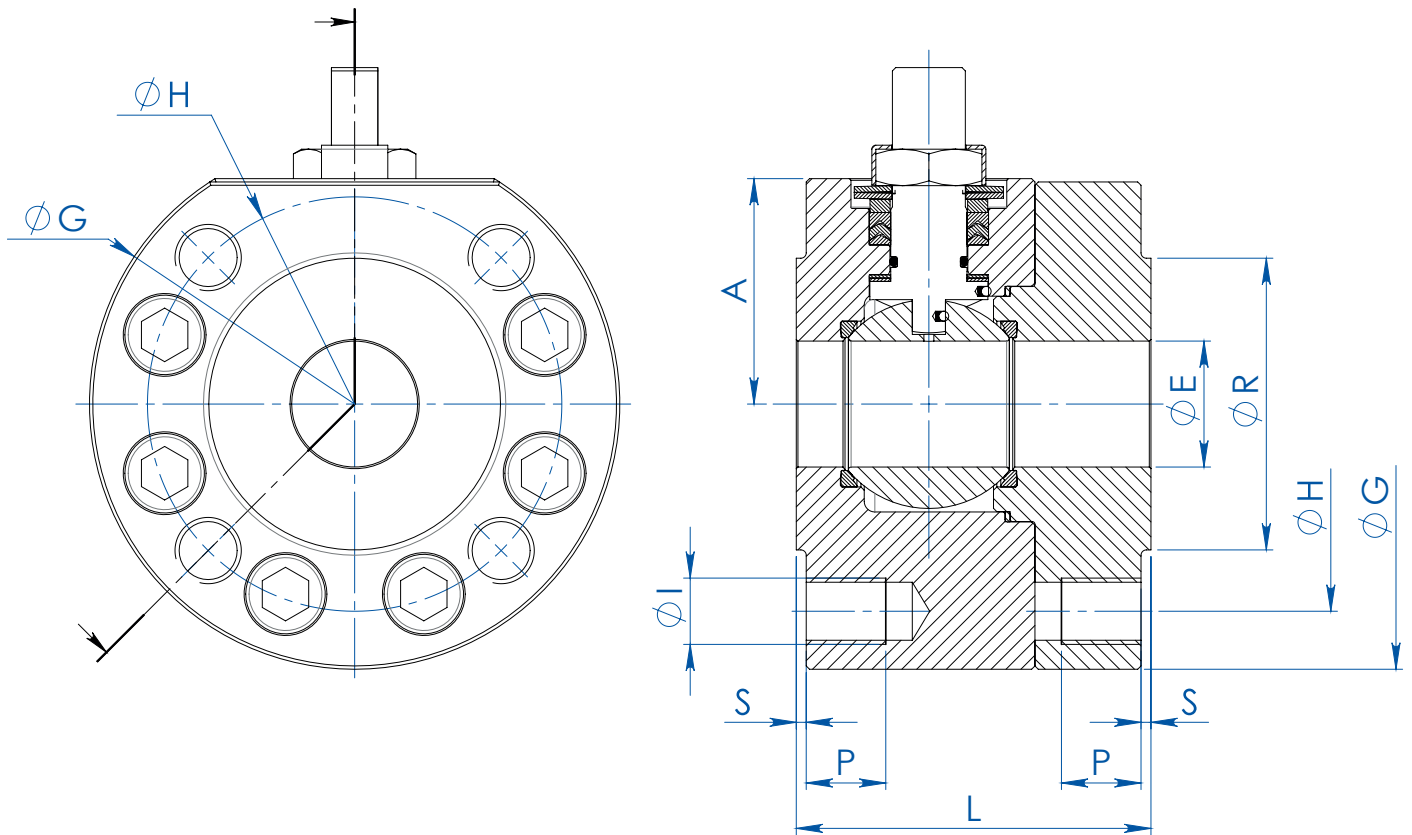
# MAGNUM SPLIT WAFER PN 63-100 ANSI 600



MISURA SIZE		DIMENSIONI DIMENSIONS										
DN [mm]	[inch]	ØE	L	B	C	ATT.ISO	ØM	ØN	F/T	H	Y	KIT LEVA LEVER KIT
DN 15	1/2"	13	68	54.5	9.5	F04	42	M5	12/8	80	150	KLV58006
DN 20	3/4"	19	72	57.5	9.5	F04	42	M5	12/8	83	150	KLV58006
DN 25	1"	25	87	71.5	14.6	F05	50	M6	16/10	95	275	KLV58008
DN 32	1" 1/4	32	92	76.5	14.6	F05	50	M6	16/10	100	275	KLV58008
DN 40	1" 1/2	38	107	98.5	20.4	F07	70	M8	22/14	120	350	KLV58010
DN 50	2"	51	115	107.5	20.4	F07	70	M8	22/14	129	350	KLV58010
DN 65	2" 1/2	64	140	144	25.1	F10	102	M10	30/18	180	450	KLV58012
DN 80	3"	76	150	151.5	25.1	F10	102	M10	30/18	188	450	KLV58012
DN 100	4"	102	190	196.5	40.5	F14	140	M16	45/30	233	800	KLV58014



# MAGNUM SPLIT WAFER PN 63-100 ANSI 600



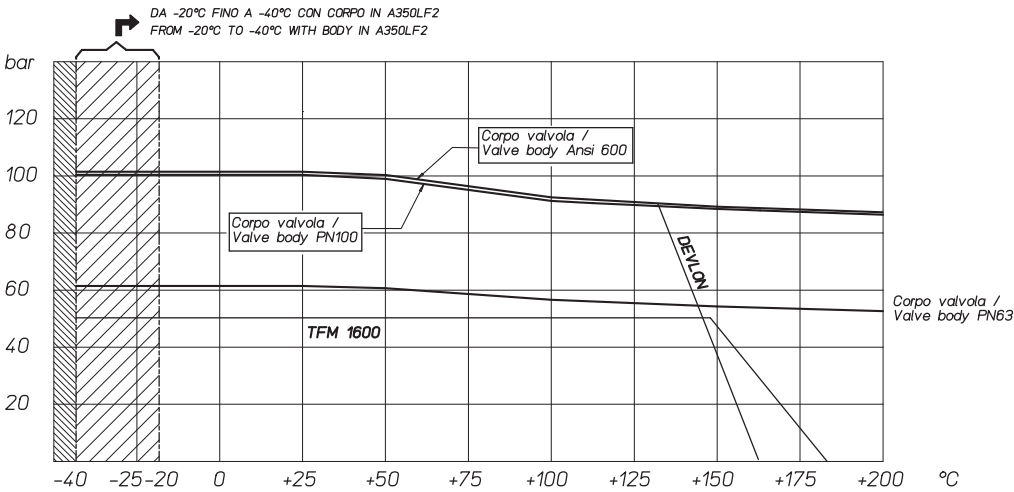
MISURA SIZE		DIMENSIONI DIMENSIONS -PN-											KIT GUARNIZIONI SEALS KIT
DN [mm]	SIZE [inch]	PN	A	$\varnothing G$	$\varnothing R$	S	$\varnothing H$	N°FORI HOLES N°	$\varnothing I$	P	Kg	L	
DN 15	1/2"	PN 63-100	40	95	45	2	75	4	M12	16	4,2	68	KGBV472040
DN 20	3/4"	PN 63-100	45	115	58	2	90	4	M16	20	6,7	72	KGBV472050
DN 25	1"	PN 63-100	50	125	68	2	100	4	M16	20	6,9	87	KGBV472060
DN 32	1" 1/4	PN 63-100	55	145	78	2	110	4	M20	24	9,3	92	KGBV472070
DN 40	1" 1/2	PN 63-100	68	160	88	3	125	4	M20	24	13,5	107	KGBV472080
DN 50	2"	PN 63	79	170	102	3	135	4	M20	24	16,5	115	KGBV472090
DN 50	2"	PN 100	79	185	102	3	145	4	M24	28	19,5	115	KGBV472090
DN 65	2" 1/2	PN 63	94	208	122	3	160	8	M20	25	29,5	140	KGBV472100
DN 65	2" 1/2	PN 100	101	220	122	3	170	8	M24	30	33,2	140	KGBV472100
DN 80	3"	PN 63	101,5	220	138	3	170	8	M20	25	34,9	150	KGBV472110
DN 80	3"	PN 100	108,5	235	138	3	180	8	M24	30	40,3	150	KGBV472110
DN 100	4"	PN 63	123	275	162	3	200	8	M24	30	67,5	190	KGBV472120
DN 100	4"	PN 100	123	275	162	3	210	8	M27	32	67,2	190	KGBV472120

MISURA SIZE		DIMENSIONI DIMENSIONS -ANSI-											KIT GUARNIZIONI SEALS KIT
DN [mm]	SIZE [inch]	ANSI	A	$\varnothing G$	$\varnothing R$	S	$\varnothing H$	N°FORI HOLES N°	$\varnothing I$	P	Kg	L	
DN 15	1/2"	ANSI 600	40	95	34,9	6,3	66,7	4	1/2"UNC	16	4,1	68	KGBV472040
DN 20	3/4"	ANSI 600	45	115	42,9	6,3	82,6	4	5/8"UNC	20	4,4	72	KGBV472050
DN 25	1"	ANSI 600	50	125	50,8	6,3	88,9	4	5/8"UNC	20	6,3	87	KGBV472060
DN 32	1" 1/4	ANSI 600	55	135	63,5	6,3	98,4	4	5/8"UNC	20	7,6	92	KGBV472070
DN 40	1" 1/2	ANSI 600	68	155	73	6,3	114,3	4	3/4"UNC	24	11,2	107	KGBV472080
DN 50	2"	ANSI 600	79	170	92,1	6,3	127	8	5/8"UNC	20	15,5	115	KGBV472090
DN 65	2" 1/2	ANSI 600	94	208	104,8	6,3	149,2	8	3/4"UNC	25	28,3	140	KGBV472100
DN 80	3"	ANSI 600	101,5	220	127	6,3	168,3	8	3/4"UNC	25	33,8	150	KGBV472110
DN 100	4"	ANSI 600	126	279	157,2	6,3	215,9	8	7/8"UNC	30	68,2	190	KGBV472120

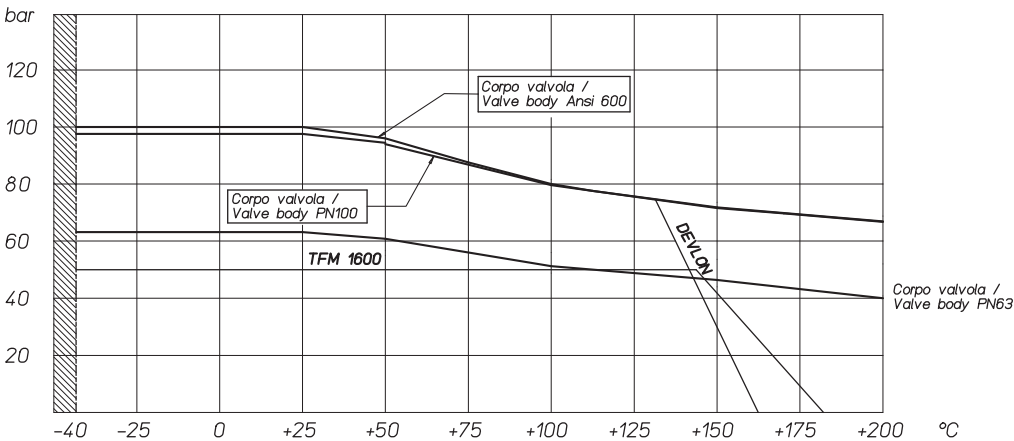


# MAGNUM SPLIT WAFER PN 63-100 ANSI 600

## Diagramma pressione/temperatura per valvole con corpo in acciaio carbonio Temperature/pressure diagram for carbon steel valve



## Diagramma pressione/temperatura per valvole con corpo in acciaio inox Temperature/pressure diagram for stainless steel valve



Il dimensionamento degli attuatori pneumatici è stato fatto considerando una pressione minima di alimentazione pari a 5,6 barg.  
The sizing of pneumatic actuators has been done considering a minimum supply pressure of 5,6 barg.



# MAGNUM SPLIT WAFER PN 63-100 ANSI 600

## ACCIAIO AL CARBONIO *CARBON STEEL*



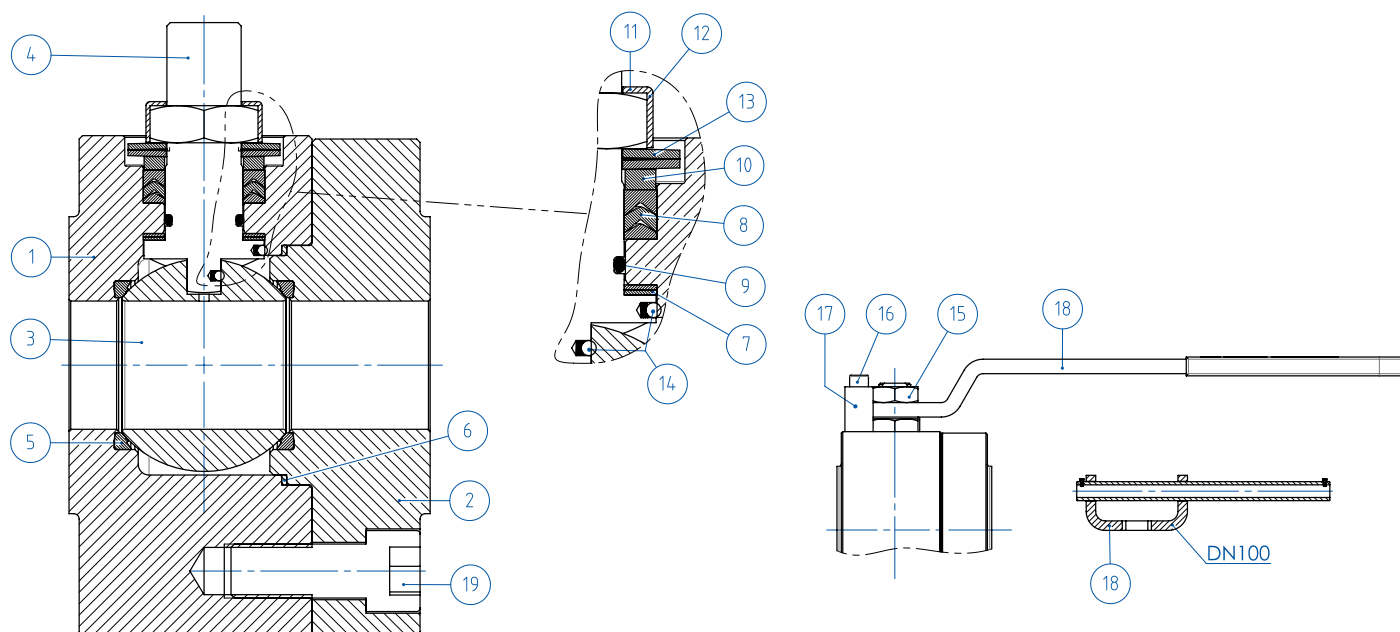
<p><b>ESECUZIONE STANDARD</b></p> <ul style="list-style-type: none"> <li>• Sfera flottante contenuta, passaggio totale</li> <li>• Tenuta soft-seat: DEVLON</li> <li>• Norme per flange d'attacco EN 1092-1; ASME B16.5</li> <li>• Temperature di utilizzo vedi diagramma pressione temperatura</li> <li>• Classe di pressione: PN 63-100; ANSI 600</li> <li>• Classe di tenuta: EN12266-1 rate A</li> <li>• Fluido intercettato: aria, acqua, gas, prodotti petroliferi.</li> <li>• Antistatic device EN12266-2</li> <li>• Tenuta stelo: pacco a V di serie in TFM</li> <li>• Tenuta addizionale su stelo con O-ring FKM</li> <li>• Stelo anti Blow-out</li> <li>• Foratura piano per attuatore a norma ISO 5211</li> <li>• Angolo di chiusura &gt;7°</li> <li>• Trattamento superficiale brunitura</li> </ul>	<p><b>STANDARD FEATURES</b></p> <ul style="list-style-type: none"> <li>• No protruding floating ball, full bore</li> <li>• Soft-seat seal: DEVLON</li> <li>• Standard for connecting flanges: EN 1092-1; ASME B16.5</li> <li>• Operating temperature see temperature pressure diagram</li> <li>• Pressure class: PN 63-100; ANSI 600</li> <li>• Tightness Class: EN12266-1 rate A</li> <li>• Intercepted fluid: air, water, gas, petroleum and petrochemical products.</li> <li>• Antistatic device EN12266-2</li> <li>• Stem seal: TFM 1600 V-pack</li> <li>• Additional seal on stem with FKM O-ring</li> <li>• Anti Blow-out stem</li> <li>• Actuator connection as per standard ISO 5211</li> <li>• Closing angle &gt;7°</li> <li>• Superficial treatment: blueing</li> </ul>
<p><b>ESECUZIONI A RICHIESTA</b></p> <ul style="list-style-type: none"> <li>• Esecuzione per temperatura -40 C° in LF2</li> <li>• Per altri tipi di flangiature contattare il nostro ufficio commerciale.</li> <li>• Guarnizioni di tenuta in: PTFE caricato vetro (RPTFE-GF), PTFE caricato carbografite (RPTFE-CF). Per altri tipi di materiale contattare il nostro ufficio commerciale</li> <li>• Esecuzione monodirezionale con foro di compensazione della pressione nella sfera</li> <li>• Leva inox</li> <li>• Dadi e molle stelo inox</li> <li>• Per esecuzioni con materiali (corpo/sfera/stelo) diversi dallo standard contattare il nostro ufficio commerciale</li> <li>• Trattamento superficiale: zincatura bianca, verniciatura epossidica, (per altri trattamenti contattare il nostro ufficio commerciale).</li> <li>• Marcatura e certificato ATEX A RICHIESTA</li> </ul>	<p><b>FEATURES ON REQUEST</b></p> <ul style="list-style-type: none"> <li>• LF2 carbon steel for low temperature execution (-40 C°)</li> <li>• For other flange types please contact our sales department.</li> <li>• Sealing in: PTFE reinforced with glass (RPTFE-GF), PTFE reinforced with carbon-graphite (RPTFE-CF). For other types of materials please contact our sales department</li> <li>• Mono-directional version with pressure-relief hole in the ball</li> <li>• Stainless steel lever</li> <li>• For versions in materials different from the standard (body, ball, stem), please contact our sales department.</li> <li>• Stainless steel Stem nuts and springs</li> <li>• Superficial treatment: white zinc coating, epoxy coating</li> <li>• For other coating please contact our sales department</li> <li>• ATEX marking and certificate <b>ON REQUEST</b></li> </ul>
<p><b>CERTIFICAZIONI</b></p> <ul style="list-style-type: none"> <li>• Conforme alla direttiva Europea 2014/68/EU PED; Fugitive Emission ISO 15848 (ISO FE BH-C03-SSA 0); TA-LUFT VDI 2440; FIRE SAFE: ISO 10497 / API 607</li> <li>• Livello di sicurezza funzionale SIL 3 in accordo a IEC 61508</li> <li>• Conforme alla direttiva ATEX 2014/34/EU, certificato ATEX A RICHIESTA</li> </ul>	<p><b>CERTIFICATIONS</b></p> <ul style="list-style-type: none"> <li>• In compliance with European Directive 2014/68/EU PED; Fugitive Emission ISO 15848 (ISO FE BH-C03-SSA 0); TA-LUFT VDI 2440; FIRE SAFE: ISO 10497 / API 607</li> <li>• Safety integrity level up SIL3 according to the IEC 61508</li> <li>• In compliance with ATEX 2014/34/EU Directive, ATEX certificate <b>ON REQUEST</b>.</li> </ul>
<p><b>NORME DI PROGETTAZIONE</b></p> <ul style="list-style-type: none"> <li>• Spessori corpo in accordo a: ASME B16.34, ASME VIII div.1, EN 12516.</li> <li>• Materiali e rating in accordo ad ASME B16.34 per valvole ANSI ed EN 12516 per valvole PN</li> </ul>	<p><b>ENGINEERING STANDARD</b></p> <ul style="list-style-type: none"> <li>• Body thickness in compliance with: ASME B16.34, ASME VIII div.1, EN 12516.</li> <li>• Materials and rating in compliance with ASME B16.34 for ANSI valves and EN 12516 for PN valves</li> </ul>



## MAGNUM SPLIT WAFER - PN 63-100 ANSI 600

ACCIAIO CARBONIO *CARBON STEEL*

TABELLA DEI MATERIALI *MATERIALS TABLE*



MATERIALI <i>MATERIALS</i>			
SPLIT WAFER PN63-100 ANSI 600 acciaio carbonio <i>carbon steel</i>			
N°	Descrizione <i>Description</i>	A105 <i>Carbon steel</i>	LF2 <i>Carbon steel</i>
1	Corpo <i>Body</i>	ASTM A105	ASTM A350 LF2
2	Ghiera <i>Ring nut</i>		
3	Sfera <i>Ball</i>	ASTM A351 CF8(*) (1.4308/Gx5CrNi19-10) (**)	ASTM A351 CF8(*) (1.4308/Gx5CrNi19-10) (**)
4	Stelo <i>Stem</i>	A564 TP.630 (17-4PH)	A564 TP.630 (17-4PH)
5*	Seggio <i>Seat</i>	DEVLON	DEVLON
6*	Guarnizione corpo ghiera <i>Body-ring nut gasket</i>	GRAFOIL	GRAFOIL
7*	Tenuta inferiore stelo <i>Stem lower sealing</i>	TFM1600 (.) ●	TFM1600 (.) ●
8*	Pacco a V <i>Chevron rings</i>	TFM1600 (.)	TFM1600 (.)
9*	O-ring stelo <i>Stem o-ring</i>	FKM (.)	FKM (.)
10	Anello premiguarnizione <i>Packing gland ring</i>	Acciaio al carbonio zincato - <i>Carbon steel galvanized</i> (x) (1)	Acciaio al carbonio zincato - <i>Carbon steel galvanized</i> (x) (1)
11	Piastra blocca dado <i>Stop nut plate</i>	304 S.S.	304 S.S.
12	Dado stelo <i>Stem nut</i>	UNI 3740-1 6S ZINCATO - <i>Galvanized</i> (x)	UNI 3740-1 6S ZINCATO - <i>Galvanized</i> (x)
13	Molle a tazza <i>Springs washer</i>	50CrV4 ZINCATO - <i>Galvanized</i> (xx)	50CrV4 ZINCATO - <i>Galvanized</i> (xx)
14	Dispositivo antistatico <i>Antistatic device</i>	316 S.S.	316 S.S.
19	Vite corpo-ghiera <i>Body-ring nut screw</i>	A2-70 UNI 3740 (304 S.S.)	A2-70 UNI 3740 (304 S.S.)
15	Controdado <i>Lock nut</i>	UNI 3740-1 6S ZINCATO - <i>Galvanized</i> (x)	UNI 3740-1 6S ZINCATO - <i>Galvanized</i> (x)
16	Vite di fermo <i>Holder screw</i>	A2-70 UNI 3740 (304 S.S.)	A2-70 UNI 3740 (304 S.S.)
17	Fermo di posizione <i>Holder screw</i>	Acciaio al carbonio zincato - <i>Carbon steel galvanized</i> (x)	Acciaio al carbonio zincato - <i>Carbon steel galvanized</i> (x)
18	Leva <i>Lever</i>	Fe37 zincato - <i>Galvanized</i> (x)	Fe37 zincato - <i>Galvanized</i> (x)

\* Componenti del kit di guarnizioni *Components of seals kit*

A richiesta disponibile in: *Available on request:*

(\*): A351 CF8M

(\*\*): per ≤DN32 disponibile solo in CF8M *for ≤DN32 available only in CF8M*

(x): 304 s.s.

(xx): 301 s.s.

●: per ≤DN32 disponibile solo in DEVLON *for ≤DN32 available only in DEVLON*

(1): Per DN100 disponibile solo in 304 *DN100 available only in 304*

(.): Altri materiali disponibili a richiesta *Other materials available on request*



## MAGNUM SPLIT WAFER - PN 63-100 ANSI 600

ACCIAIO CARBONIO *CARBON STEEL*

ASSE LIBERO E CON LEVA *FREE SHAFT AND WITH LEVER*



### CODICI VALVOLE ASSE LIBERO (V\_\_) E CON LEVA (L\_\_) IN ACCIAIO CARBONIO -PN- CARBON STEEL BARE SHAFT (V\_\_) AND LEVER (L\_\_) OPERATED VALVE CODE -PN-

MISURA <i>SIZE</i>		PN	A105 Carbon steel	LF2 Carbon steel
DN [mm]	[inch]			
DN 15	1/2"	PN 63-100	V/LM404N00CAA0AAMRV00B	V/LM404N00CBA0AAMRV00B
DN 20	3/4"	PN 63-100	V/LM405N00CAA0AAMRV00B	V/LM405N00CBA0AAMRV00B
DN 25	1"	PN 63-100	V/LM406N00CAA0AAMRV00B	V/LM406N00CBA0AAMRV00B
DN 32	1" 1/4	PN 63-100	V/LM407N00CAA0AAMRV00B	V/LM407N00CBA0AAMRV00B
DN 40	1" 1/2	PN 63-100	V/LM408N00CAB0AAMNV00B	V/LM408N00CBB0AAMNV00B
DN 50	2"	PN 63	V/LM409K00CAB0AAMNV00B	V/LM409K00CBB0AAMNV00B
DN 50	2"	PN 100	V/LM409L00CAB0AAMNV00B	V/LM409L00CBB0AAMNV00B
DN 65	2" 1/2	PN 63	V/LM410K00CAB0AAMNV00B	V/LM410K00CBB0AAMNV00B
DN 65	2" 1/2	PN 100	V/LM410L00CAB0AAMNV00B	V/LM410L00CBB0AAMNV00B
DN 80	3"	PN 63	V/LM411K00CAB0AAMNV00B	V/LM411K00CBB0AAMNV00B
DN 80	3"	PN 100	V/LM411L00CAB0AAMNV00B	V/LM411L00CBB0AAMNV00B
DN 100	4"	PN 63	V/LM412K00CAB0AAMNV00B	V/LM412K00CBB0AAMNV00B
DN 100	4"	PN 100	V/LM412L00CAB0AAMNV00B	V/LM412L00CBB0AAMNV00B

### CODICI VALVOLE ASSE LIBERO (V\_\_) E CON LEVA (L\_\_) IN ACCIAIO CARBONIO -ANSI- CARBON STEEL BARE SHAFT (V\_\_) AND LEVER (L\_\_) OPERATED VALVE CODE -ANSI-

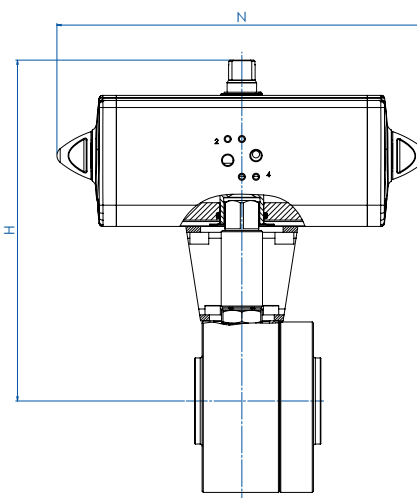
MISURA <i>SIZE</i>		ANSI	A105 Carbon steel	LF2 Carbon steel
DN [mm]	[inch]			
DN 15	1/2"	ANSI 600	V/LM404401CAA0AAMRV00B	V/LM404401CBA0AAMRV00B
DN 20	3/4"	ANSI 600	V/LM405401CAA0AAMRV00B	V/LM405401CBA0AAMRV00B
DN 25	1"	ANSI 600	V/LM406401CAA0AAMRV00B	V/LM406401CBA0AAMRV00B
DN 32	1" 1/4	ANSI 600	V/LM407401CAA0AAMRV00B	V/LM407401CBA0AAMRV00B
DN 40	1" 1/2	ANSI 600	V/LM408401CAB0AAMNV00B	V/LM408401CBB0AAMNV00B
DN 50	2"	ANSI 600	V/LM409401CAB0AAMNV00B	V/LM409401CBB0AAMNV00B
DN 65	2" 1/2	ANSI 600	V/LM410401CAB0AAMNV00B	V/LM410401CBB0AAMNV00B
DN 80	3"	ANSI 600	V/LM411401CAB0AAMNV00B	V/LM411401CBB0AAMNV00B
DN 100	4"	ANSI 600	V/LM412401CAB0AAMNV00B	V/LM412401CBB0AAMNV00B



## MAGNUM SPLIT WAFER - PN 63-100

ACCIAIO CARBONIO *CARBON STEEL*

CON ATTUATORE PNEUMATICO DOPPIO EFFETTO *WITH DOUBLE ACTING PNEUMATIC ACTUATOR*



### CODICI ARTICOLI IN A105 ACCIAIO CARBONIO *ITEM CODES IN A105 CARBON STEEL*

MISURA DN [mm]	SIZE [inch]	PN	CODICE ARTICOLO ITEM CODE	ATTUATORE ACTUATOR	KIT di montaggio Mounting KIT	N [mm]	H [mm]	Peso Kg Weight Kg
DN 20	3/4"	PN 63-100	DM405N00CAA0AAMRV00BAFDA0	DAN0045412S	KCNBCHD5341	188,5	189,5	8,6
DN 25	1"	PN 63-100	DM406N00CAA0AAMRV00BAFEA0	DAN0060412S	KCNCCHD5342	198,0	200,4	9,3
DN 32	1" 1/4	PN 63-100	DM407N00CAA0AAMRV00BAFGA0	DAN0106411S	KCNCCHD5343	237,0	218,3	12,6
DN 40	1" 1/2	PN 63-100	DM408N00CAB0AAMNV00BAFHA0	DAN0120411S	KCNDDHD5344	244,1	218,3	17,1
DN 50	2"	PN 63	DM409K00CAB0AAMNV00BAFIA0	DAN0180411S	KCNDDHD5345	289,9	276,5	22,3
DN 50	2"	PN 100	DM409L00CAB0AAMNV00BAFIA0	DAN0180411S	KCNDDHD5345	289,9	276,5	25,3
DN 65	2" 1/2	PN 63	DM410K00CAB0AAMNV00BAFJA0	DAN0240411S	KCNEEHD5346	313,6	315,1	36,8
DN 65	2" 1/2	PN 100	DM410L00CAB0AAMNV00BAFJA0	DAN0240411S	KCNEEHD5347	313,6	322,1	40,5
DN 80	3"	PN 63	DM411K00CAB0AAMNV00BAFKA0	DAN0360411S	KCNEEHD5346	339,3	329,5	43,3
DN 80	3"	PN 100	DM411L00CAB0AAMNV00BAFKA0	DAN0360411S	KCNEEHD5347	339,3	336,5	48,7
DN 100	4"	PN 63	DM412K00CAB0AAMNV00BAFMA0	DAN0720411S	KCNFGHD5364	433,1	401,0	83,9
DN 100	4"	PN 100	DM412L00CAB0AAMNV00BAFMA0	DAN0720411S	KCNFGHD5364	433,1	401,0	83,6

### CODICI ARTICOLI IN LF2 ACCIAIO CARBONIO *ITEM CODES IN LF2 CARBON STEEL*

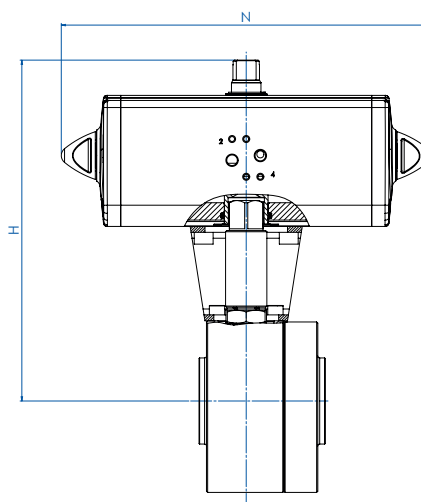
MISURA DN [mm]	SIZE [inch]	PN	CODICE ARTICOLO ITEM CODE	ATTUATORE ACTUATOR	KIT di montaggio Mounting KIT	N [mm]	H [mm]	Peso Kg Weight Kg
DN 20	3/4"	PN 63-100	DM405N00CBA0AAMRV00BAFDA0	DAN0045412S	KCNBCHD5341	188,5	189,5	8,6
DN 25	1"	PN 63-100	DM406N00CBA0AAMRV00BAFEA0	DAN0060412S	KCNCCHD5342	198,0	200,4	9,3
DN 32	1" 1/4	PN 63-100	DM407N00CBA0AAMRV00BAFGA0	DAN0106411S	KCNCCHD5343	237,0	218,3	12,6
DN 40	1" 1/2	PN 63-100	DM408N00CBB0AAMNV00BAFHA0	DAN0120411S	KCNDDHD5344	244,1	218,3	17,1
DN 50	2"	PN 63	DM409K00CBB0AAMNV00BAFIA0	DAN0180411S	KCNDDHD5345	289,9	276,5	22,3
DN 50	2"	PN 100	DM409L00CBB0AAMNV00BAFIA0	DAN0180411S	KCNDDHD5345	289,9	276,5	25,3
DN 65	2" 1/2	PN 63	DM410K00CBB0AAMNV00BAFJA0	DAN0240411S	KCNEEHD5346	313,6	315,1	36,8
DN 65	2" 1/2	PN 100	DM410L00CBB0AAMNV00BAFJA0	DAN0240411S	KCNEEHD5347	313,6	322,1	40,5
DN 80	3"	PN 63	DM411K00CBB0AAMNV00BAFKA0	DAN0360411S	KCNEEHD5346	339,3	329,5	43,3
DN 80	3"	PN 100	DM411L00CBB0AAMNV00BAFKA0	DAN0360411S	KCNEEHD5347	339,3	336,5	48,7
DN 100	4"	PN 63	DM412K00CBB0AAMNV00BAFMA0	DAN0720411S	KCNFGHD5364	433,1	401,0	83,9
DN 100	4"	PN 100	DM412L00CBB0AAMNV00BAFMA0	DAN0720411S	KCNFGHD5364	433,1	401,0	83,6



## MAGNUM SPLIT WAFER - ANSI 600

ACCIAIO CARBONIO *CARBON STEEL*

CON ATTUATORE PNEUMATICO DOPPIO EFFETTO *WITH DOUBLE ACTING PNEUMATIC ACTUATOR*



### CODICI ARTICOLI IN A105 ACCIAIO CARBONIO *ITEM CODES IN A105 CARBON STEEL*

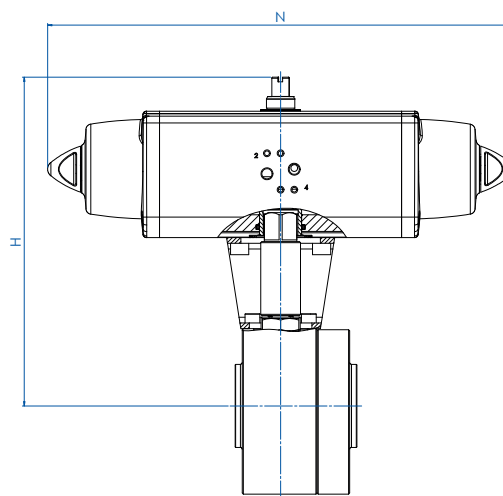
MISURA <i>SIZE</i>		ANSI	CODICE ARTICOLO <i>ITEM CODE</i>	ATTUATORE <i>ACTUATOR</i>	KIT di montaggio <i>Mounting KIT</i>	N [mm]	H [mm]	Peso Kg <i>Weight Kg</i>
DN [mm]	[inch]							
DN 15	1/2"	ANSI 600	DM404401CAA0AAMRV00BAFCA0	DAN0030411S	KCNBCHD5340	174,2	179,2	5,9
DN 20	3/4"	ANSI 600	DM405401CAA0AAMRV00BAFDA0	DAN0045412S	KCNBCHD5341	188,5	189,5	8,6
DN 25	1"	ANSI 600	DM406401CAA0AAMRV00BAFEA0	DAN0060412S	KCNCCHD5342	198,0	200,4	9,3
DN 32	1" 1/4	ANSI 600	DM407401CAA0AAMRV00BAFGA0	DAN0106411S	KCNCCHD5343	237,0	218,3	12,6
DN 40	1" 1/2	ANSI 600	DM408401CAB0AAMNV00BAFHA0	DAN0120411S	KCNDDHD5344	244,1	218,3	17,1
DN 50	2"	ANSI 600	DM409401CAB0AAMNV00BAFIA0	DAN0180411S	KCNDDHD5345	289,9	276,5	22,3
DN 65	2" 1/2	ANSI 600	DM410401CAB0AAMNV00BAFJA0	DAN0240411S	KCNEEHD5346	313,6	315,1	36,8
DN 80	3"	ANSI 600	DM411401CAB0AAMNV00BAFKA0	DAN0360411S	KCNEEHD5346	339,3	329,5	43,3
DN 100	4"	ANSI 600	DM412401CAB0AAMNV00BAFMA0	DAN0720411S	KCNFGHD5365	433,1	404,0	83,9

### CODICI ARTICOLI IN LF2 ACCIAIO CARBONIO *ITEM CODES IN LF2 CARBON STEEL*

MISURA <i>SIZE</i>		ANSI	CODICE ARTICOLO <i>ITEM CODE</i>	ATTUATORE <i>ACTUATOR</i>	KIT di montaggio <i>Mounting KIT</i>	N [mm]	H [mm]	Peso Kg <i>Weight Kg</i>
DN [mm]	[inch]							
DN 15	1/2"	ANSI 600	DM404401CBA0AAMRV00BAFCA0	DAN0030411S	KCNBCHD5340	174,2	179,2	5,9
DN 20	3/4"	ANSI 600	DM405401CBA0AAMRV00BAFDA0	DAN0045412S	KCNBCHD5341	188,5	189,5	8,6
DN 25	1"	ANSI 600	DM406401CBA0AAMRV00BAFEA0	DAN0060412S	KCNCCHD5342	198,0	200,4	9,3
DN 32	1" 1/4	ANSI 600	DM407401CBA0AAMRV00BAFGA0	DAN0106411S	KCNCCHD5343	237,0	218,3	12,6
DN 40	1" 1/2	ANSI 600	DM408401CBB0AAMNV00BAFHA0	DAN0120411S	KCNDDHD5344	244,1	218,3	17,1
DN 50	2"	ANSI 600	DM409401CBB0AAMNV00BAFIA0	DAN0180411S	KCNDDHD5345	289,9	276,5	22,3
DN 65	2" 1/2	ANSI 600	DM410401CBB0AAMNV00BAFJA0	DAN0240411S	KCNEEHD5346	313,6	315,1	36,8
DN 80	3"	ANSI 600	DM411401CBB0AAMNV00BAFKA0	DAN0360411S	KCNEEHD5346	339,3	329,5	43,3
DN 100	4"	ANSI 600	DM412401CBB0AAMNV00BAFMA0	DAN0720411S	KCNFGHD5365	433,1	404,0	83,9



**MAGNUM SPLIT WAFER - PN 63-100**  
**ACCIAIO CARBONIO CARBON STEEL**  
**CON ATTUATORE PNEUMATICO SEMPLICE EFFETTO WITH SPRING RETURN PNEUMATIC ACTUATOR**



**CODICI ARTICOLI IN A105 ACCIAIO CARBONIO ITEM CODES IN A105 CARBON STEEL**

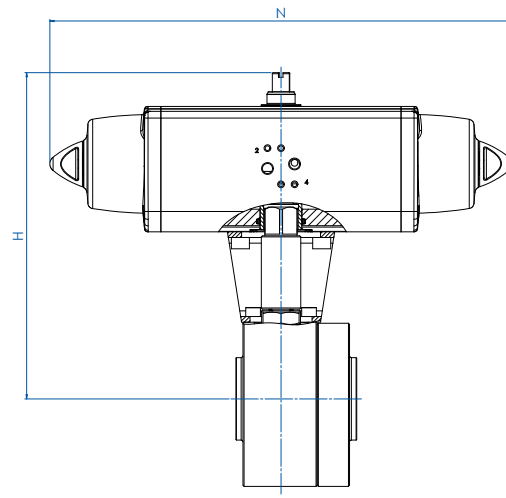
MISURA DN [mm]	SIZE [inch]	PN	CODICE ARTICOLO ITEM CODE	ATTUATORE ACTUATOR	KIT di montaggio Mounting KIT	N [mm]	H [mm]	Peso Kg Weight Kg
DN 20	3/4"	PN 63-100	SM405N00CAA0AAMRV00BAFGA0	SRN0053401S	KCNBCHD5351	304,2	208,3	10,2
DN 25	1"	PN 63-100	SM406N00CAA0AAMRV00BAFHA0	SRN0060401S	KCNCCHD5343	338,5	217,0	11,1
DN 32	1" 1/4	PN 63-100	SM407N00CAA0AAMRV00BAFIA0	SRN0090401S	KCNCDDHD5352	393,7	252,5	16,4
DN 40	1" 1/2	PN 63-100	SM408N00CAB0AAMNV00BAFJA0	SRN0120401S	KCNDDHD5353	409,6	269,1	21,5
DN 50	2"	PN 63	SM409K00CAB0AAMNV00BAFKA0	SRN0180401S	KCNDDHD5345	474,0	287,0	26,6
DN 50	2"	PN 100	SM409L00CAB0AAMNV00BAFKA0	SRN0180401S	KCNDDHD5345	474,0	287,0	29,6
DN 65	2" 1/2	PN 63	SM410K00CAB0AAMNV00BAFLA0	SRN0240401S	KCNEEHD5354	520,5	339,0	43,2
DN 65	2" 1/2	PN 100	SM410L00CAB0AAMNV00BAFLA0	SRN0240401S	KCNEEHD5355	520,5	346,0	47,0
DN 80	3"	PN 63	SM411K00CAB0AAMNV00BAFMA0	SRN0360401S	KCNEEHD5354	613,0	359,5	53,3
DN 80	3"	PN 100	SM411L00CAB0AAMNV00BAFMA0	SRN0360401S	KCNEEHD5355	613,0	366,5	58,8
DN 100	4"	PN 63	SM412K00CAB0AAMNV00BAFQA0	SRN0720401S	KCNGGHD5368	798,0	439,0	105,6
DN 100	4"	PN 100	SM412L00CAB0AAMNV00BAFQA0	SRN0720401S	KCNGGHD5368	798,0	439,0	105,3

**CODICI ARTICOLI IN LF2 ACCIAIO CARBONIO ITEM CODES IN LF2 CARBON STEEL**

MISURA DN [mm]	SIZE [inch]	PN	CODICE ARTICOLO ITEM CODE	ATTUATORE ACTUATOR	KIT di montaggio Mounting KIT	N [mm]	H [mm]	Peso Kg Weight Kg
DN 20	3/4"	PN 63-100	SM405N00CBA0AAMRV00BAFGA0	SRN0053401S	KCNBCHD5351	304,2	208,3	10,2
DN 25	1"	PN 63-100	SM406N00CBA0AAMRV00BAFHA0	SRN0060401S	KCNCCHD5343	338,5	217,0	11,1
DN 32	1" 1/4	PN 63-100	SM407N00CBA0AAMRV00BAFIA0	SRN0090401S	KCNCDDHD5352	393,7	252,5	16,4
DN 40	1" 1/2	PN 63-100	SM408N00CBB0AAMNV00BAFJA0	SRN0120401S	KCNDDHD5353	409,6	269,1	21,5
DN 50	2"	PN 63	SM409K00CBB0AAMNV00BAFKA0	SRN0180401S	KCNDDHD5345	474,0	287,0	26,6
DN 50	2"	PN 100	SM409L00CBB0AAMNV00BAFKA0	SRN0180401S	KCNDDHD5345	474,0	287,0	29,6
DN 65	2" 1/2	PN 63	SM410K00CBB0AAMNV00BAFLA0	SRN0240401S	KCNEEHD5354	520,5	339,0	43,2
DN 65	2" 1/2	PN 100	SM410L00CBB0AAMNV00BAFLA0	SRN0240401S	KCNEEHD5355	520,5	346,0	47,0
DN 80	3"	PN 63	SM411K00CBB0AAMNV00BAFMA0	SRN0360401S	KCNEEHD5354	613,0	359,5	53,3
DN 80	3"	PN 100	SM411L00CBB0AAMNV00BAFMA0	SRN0360401S	KCNEEHD5355	613,0	366,5	58,8
DN 100	4"	PN 63	SM412K00CBB0AAMNV00BAFQA0	SRN0720401S	KCNGGHD5368	798,0	439,0	105,6
DN 100	4"	PN 100	SM412L00CBB0AAMNV00BAFQA0	SRN0720401S	KCNGGHD5368	798,0	439,0	105,3



**MAGNUM SPLIT WAFER - ANSI 600**  
**ACCIAIO CARBONIO CARBON STEEL**  
**CON ATTUATORE PNEUMATICO SEMPLICE EFFETTO WITH SPRING RETURN PNEUMATIC ACTUATOR**



**CODICI ARTICOLI IN A105 ACCIAIO CARBONIO ITEM CODES IN A105 CARBON STEEL**

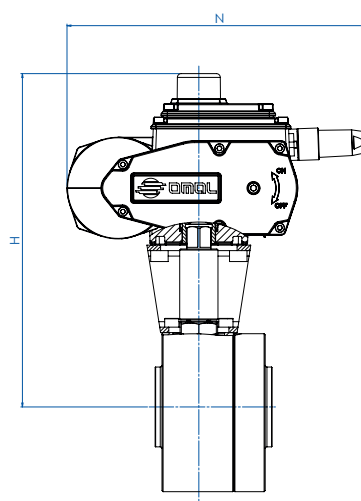
MISURA SIZE		ANSI	CODICE ARTICOLO ITEM CODE	ATTUATORE ACTUATOR	KIT di montaggio Mounting KIT	N [mm]	H [mm]	Peso Kg Weight Kg
DN [mm]	[inch]							
DN 15	1/2"	ANSI 600	SM404401CAA0AAMRV00BAFEA0	SRN0030402S	KCNBCHD5350	258,8	190,4	6,8
DN 20	3/4"	ANSI 600	SM405401CAA0AAMRV00BAFGA0	SRN0053401S	KCNBCHD5351	304,2	208,3	8,2
DN 25	1"	ANSI 600	SM406401CAA0AAMRV00BAFHA0	SRN0060401S	KCNCCHD5343	338,5	217,0	10,5
DN 32	1" 1/4	ANSI 600	SM407401CAA0AAMRV00BAFIA0	SRN0090401S	KCNCDDHD5352	393,7	252,5	14,7
DN 40	1" 1/2	ANSI 600	SM408401CAB0AAMNV00BAFJA0	SRN0120401S	KCNDDHD5353	409,6	269,1	19,2
DN 50	2"	ANSI 600	SM409401CAB0AAMNV00BAFKA0	SRN0180401S	KCNDDHD5345	474,0	284,0	25,6
DN 65	2" 1/2	ANSI 600	SM410401CAB0AAMNV00BAFLA0	SRN0240401S	KCNEEHD5354	520,5	339,0	42,2
DN 80	3"	ANSI 600	SM411401CAB0AAMNV00BAFMA0	SRN0360401S	KCNEEHD5354	613,0	359,5	52,2
DN 100	4"	ANSI 600	SM412401CAB0AAMNV00BAFQA0	SRN0720401S	KCNGGHD5369	798,0	442,0	147,4

**CODICI ARTICOLI IN LF2 ACCIAIO CARBONIO ITEM CODES IN LF2 CARBON STEEL**

MISURA SIZE		ANSI	CODICE ARTICOLO ITEM CODE	ATTUATORE ACTUATOR	KIT di montaggio Mounting KIT	N [mm]	H [mm]	Peso Kg Weight Kg
DN [mm]	[inch]							
DN 15	1/2"	ANSI 600	SM404401CBA0AAMRV00BAFEA0	SRN0030402S	KCNBCHD5350	258,8	190,4	6,8
DN 20	3/4"	ANSI 600	SM405401CBA0AAMRV00BAFGA0	SRN0053401S	KCNBCHD5351	304,2	208,3	8,2
DN 25	1"	ANSI 600	SM406401CBA0AAMRV00BAFHA0	SRN0060401S	KCNCCHD5343	338,5	217,0	10,5
DN 32	1" 1/4	ANSI 600	SM407401CBA0AAMRV00BAFIA0	SRN0090401S	KCNCDDHD5352	393,7	252,5	14,7
DN 40	1" 1/2	ANSI 600	SM408401CBB0AAMNV00BAFJA0	SRN0120401S	KCNDDHD5353	409,6	269,1	19,2
DN 50	2"	ANSI 600	SM409401CBB0AAMNV00BAFKA0	SRN0180401S	KCNDDHD5345	474,0	284,0	25,6
DN 65	2" 1/2	ANSI 600	SM410401CBB0AAMNV00BAFLA0	SRN0240401S	KCNEEHD5354	520,5	339,0	42,2
DN 80	3"	ANSI 600	SM411401CBB0AAMNV00BAFMA0	SRN0360401S	KCNEEHD5354	613,0	359,5	52,2
DN 100	4"	ANSI 600	SM412401CBB0AAMNV00BAFQA0	SRN0720401S	KCNGGHD5369	798,0	442,0	147,4



**MAGNUM SPLIT WAFER - PN 63-100**  
**ACCIAIO CARBONIO CARBON STEEL**  
**CON ATTUATORE ELETTRICO WITH ELECTRIC ACTUATOR**



**CODICI ARTICOLI IN A105 ACCIAIO CARBONIO ITEM CODES IN A105 CARBON STEEL**

MISURA SIZE		PN	CODICE ARTICOLO ITEM CODE	ATTUATORE ACTUATOR	KIT di montaggio Mounting KIT	N [mm]	H [mm]	Peso Kg Weight Kg
DN [mm]	[inch]							
DN 15	1/2"	PN 63-100	EM404N00CAA0AAMRV00BAMEGO	EA0035A5C000	KCNBCHD5350	250,0	237,0	8,5
DN 20	3/4"	PN 63-100	EM405N00CAA0AAMRV00BAMEGO	EA0035A5C000	KCNBCHD5357	250,0	242,0	8,6
DN 25	1"	PN 63-100	EM406N00CAA0AAMRV00BAMGG0	EA0070A5C000	KCNCCHD5342	250,0	247,0	11,5
DN 32	1" 1/4	PN 63-100	EM407N00CAA0AAMRV00BAMGG0	EA0070A5C000	KCNCCHD5342	250,0	252,0	13,9
DN 40	1" 1/2	PN 63-100	EM408N00CAB0AAMNV00BAMIG0	EA0130A5C000	KCNDDHD5344	280,0	285,5	21,7
DN 50	2"	PN 63	EM409K00CAB0AAMNV00BAMIG0	EA0130A5C000	KCNDDHD5358	280,0	296,5	24,7
DN 50	2"	PN 100	EM409L00CAB0AAMNV00BAMIG0	EA0130A5C000	KCNDDHD5358	280,0	296,5	27,7
DN 65	2" 1/2	PN 63	EM410K00CAB0AAMNV00BAMKG0	EA0240A5C000	KCNEEHD5346	280,0	331,5	38,9
DN 65	2" 1/2	PN 100	EM410L00CAB0AAMNV00BAMKG0	EA0240A5C000	KCNEEHD5347	280,0	338,5	42,6
DN 80	3"	PN 63	EM411K00CAB0AAMNV00BAMNA0	AE160040	KCNEEHV5359	256,5	366,5	46,0
DN 80	3"	PN 100	EM411L00CAB0AAMNV00BAMNA0	AE160040	KCNEEHV5360	256,5	373,5	51,5
DN 100	4"	PN 63	EM412K00CAB0AAMNV00BAMTA0	AE160100	KCNFGHV5372	381,0	457,0	94,2
DN 100	4"	PN 100	EM412L00CAB0AAMNV00BAMTA0	AE160100	KCNFGHV5372	381,0	457,0	93,9

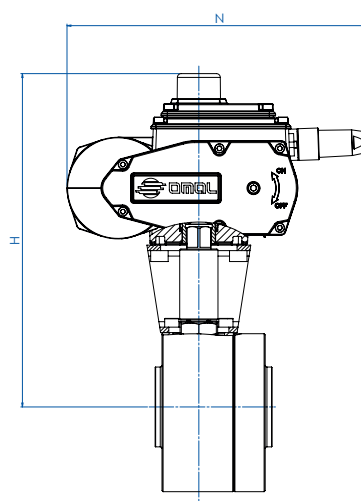
**CODICI ARTICOLI IN LF2 ACCIAIO CARBONIO ITEM CODES IN LF2 CARBON STEEL**

MISURA SIZE		PN	CODICE ARTICOLO ITEM CODE	ATTUATORE ACTUATOR	KIT di montaggio Mounting KIT	N [mm]	H [mm]	Peso Kg Weight Kg
DN [mm]	[inch]							
DN 15	1/2"	PN 63-100	EM404N00CBA0AAMRV00BAMEGO	EA0035A5C000	KCNBCHD5350	250,0	237,0	8,5
DN 20	3/4"	PN 63-100	EM405N00CBA0AAMRV00BAMEGO	EA0035A5C000	KCNBCHD5357	250,0	242,0	8,6
DN 25	1"	PN 63-100	EM406N00CBA0AAMRV00BAMGG0	EA0070A5C000	KCNCCHD5342	250,0	247,0	11,5
DN 32	1" 1/4	PN 63-100	EM407N00CBA0AAMRV00BAMGG0	EA0070A5C000	KCNCCHD5342	250,0	252,0	13,9
DN 40	1" 1/2	PN 63-100	EM408N00CBB0AAMNV00BAMIG0	EA0130A5C000	KCNDDHD5344	280,0	285,5	21,7
DN 50	2"	PN 63	EM409K00CBB0AAMNV00BAMIG0	EA0130A5C000	KCNDDHD5358	280,0	296,5	24,7
DN 50	2"	PN 100	EM409L00CBB0AAMNV00BAMIG0	EA0130A5C000	KCNDDHD5358	280,0	296,5	27,7
DN 65	2" 1/2	PN 63	EM410K00CBB0AAMNV00BAMKG0	EA0240A5C000	KCNEEHD5346	280,0	331,5	38,9
DN 65	2" 1/2	PN 100	EM410L00CBB0AAMNV00BAMKG0	EA0240A5C000	KCNEEHD5347	280,0	338,5	42,6
DN 80	3"	PN 63	EM411K00CBB0AAMNV00BAMNA0	AE160040	KCNEEHV5359	256,5	366,5	46,0
DN 80	3"	PN 100	EM411L00CBB0AAMNV00BAMNA0	AE160040	KCNEEHV5360	256,5	373,5	51,5
DN 100	4"	PN 63	EM412K00CBB0AAMNV00BAMTA0	AE160100	KCNFGHV5372	381,0	457,0	94,2
DN 100	4"	PN 100	EM412L00CBB0AAMNV00BAMTA0	AE160100	KCNFGHV5372	381,0	457,0	93,9

Articoli disponibili anche con attuatore modulante *Items available also with modulating actuator*



**MAGNUM SPLIT WAFER - ANSI 600**  
**ACCIAIO CARBONIO CARBON STEEL**  
**CON ATTUATORE ELETTRICO WITH ELECTRIC ACTUATOR**



**CODICI ARTICOLI IN A105 ACCIAIO CARBONIO ITEM CODES IN A105 CARBON STEEL**

MISURA SIZE		ANSI	CODICE ARTICOLO ITEM CODE	ATTUATORE ACTUATOR	KIT di montaggio Mounting KIT	N [mm]	H [mm]	Peso Kg Weight Kg
DN [mm]	[inch]							
DN 15	1/2"	ANSI 600	EM404401CAA0AAMRV00BAMEG0	EA0035A5C000	KCNBCHD5350	250,0	237,0	8,4
DN 20	3/4"	ANSI 600	EM405401CAA0AAMRV00BAMEG0	EA0035A5C000	KCNBCHD5357	250,0	242,0	8,8
DN 25	1"	ANSI 600	EM406401CAA0AAMRV00BAMGG0	EA0070A5C000	KCNCCHD5342	250,0	247,0	10,9
DN 32	1" 1/4	ANSI 600	EM407401CAA0AAMRV00BAMGG0	EA0070A5C000	KCNCCHD5342	250,0	252,0	12,2
DN 40	1" 1/2	ANSI 600	EM408401CAB0AAMNV00BAMIG0	EA0130A5C000	KCNDDHD5344	280,0	285,5	19,4
DN 50	2"	ANSI 600	EM409401CAB0AAMNV00BAMIG0	EA0130A5C000	KCNDDHD5358	280,0	296,5	23,7
DN 65	2" 1/2	ANSI 600	EM410401CAB0AAMNV00BAMKG0	EA0240A5C000	KCNEEHD5346	280,0	331,5	37,7
DN 80	3"	ANSI 600	EM411401CAB0AAMNV00BAMNA0	AE160040	KCNEEHV5359	256,5	366,5	44,9
DN 100	4"	ANSI 600	EM412401CAB0AAMNV00BAMTA0	AE160100	KCNFGHV5373	381,0	450,0	95,0

**CODICI ARTICOLI IN LF2 ACCIAIO CARBONIO ITEM CODES IN LF2 CARBON STEEL**

MISURA SIZE		ANSI	CODICE ARTICOLO ITEM CODE	ATTUATORE ACTUATOR	KIT di montaggio Mounting KIT	N [mm]	H [mm]	Peso Kg Weight Kg
DN [mm]	[inch]							
DN 15	1/2"	ANSI 600	EM404401CBA0AAMRV00BAMEG0	EA0035A5C000	KCNBCHD5350	250,0	237,0	8,4
DN 20	3/4"	ANSI 600	EM405401CBA0AAMRV00BAMEG0	EA0035A5C000	KCNBCHD5357	250,0	242,0	8,8
DN 25	1"	ANSI 600	EM406401CBA0AAMRV00BAMGG0	EA0070A5C000	KCNCCHD5342	250,0	247,0	10,9
DN 32	1" 1/4	ANSI 600	EM407401CBA0AAMRV00BAMGG0	EA0070A5C000	KCNCCHD5342	250,0	252,0	12,2
DN 40	1" 1/2	ANSI 600	EM408401CBB0AAMNV00BAMIG0	EA0130A5C000	KCNDDHD5344	280,0	285,5	19,4
DN 50	2"	ANSI 600	EM409401CBB0AAMNV00BAMIG0	EA0130A5C000	KCNDDHD5358	280,0	296,5	23,7
DN 65	2" 1/2	ANSI 600	EM410401CBB0AAMNV00BAMKG0	EA0240A5C000	KCNEEHD5346	280,0	331,5	37,7
DN 80	3"	ANSI 600	EM411401CBB0AAMNV00BAMNA0	AE160040	KCNEEHV5359	256,5	366,5	44,9
DN 100	4"	ANSI 600	EM412401CBB0AAMNV00BAMTA0	AE160100	KCNFGHV5373	381,0	450,0	95,0

Articoli disponibili anche con attuatore modulante *Items available also with modulating actuator*