



THOR SPLIT BODY PN 63-100 ANSI 600

ACCIAIO AL CARBONIO CARBON STEEL



ESECUZIONE STANDARD

- Sfera flottante, passaggio totale. Disponibili versioni a passaggio ridotto.
- Tenuta soft-seat DEVLON
- Norme per flange d'attacco ASME B16.5; EN1092-1
- Temperature di utilizzo vedi diagramma pressione temperatura
- Classe di pressione: ANSI 600 / PN63-100
- Classe di tenuta: EN12266-1 rate A
- Fluido intercettato: aria, acqua, gas, prodotti petroliferi.
- Antistatic device EN12266-2
- Tenuta stelo: pacco a V di serie in TFM1600
- Tenuta addizionale su stelo con O-ring FKM
- Stelo anti Blow-out
- Foratura piano per attuatore a norma ISO 5211
- Angolo di chiusura >7°
- Trattamento superficiale brunitura

STANDARD FEATURES

- Floating ball, full bore. Available reduce bore version.
- Soft-seat seal DEVLON
- Standard for connecting flanges: ASME B16.5; EN1092-1
- Operating temperature see temperature pressure diagram
- Pressure class: ANSI 600 / PN63-100
- Tightness Class: EN12266-1 rate A
- Intercepted fluid: air, water, gas, petroleum and petrochemical products.
- Antistatic device EN12266-2
- Stem seal: TFM 1600 V-ring packing
- Additional seal on stem with FKM O-ring
- Anti Blow-out stem
- Actuator connection as per standard ISO 5211
- Closing angle >7°
- Superficial treatment: blueing

ESECUZIONI A RICHIESTA

- Esecuzione per temperatura -40 C° in LF2
- Per altri tipi di flangiature contattare il nostro ufficio commerciale.
- Guarnizioni di tenuta in: PTFE caricato vetro (RPTFE-GF), PTFE caricato carbografite (RPTFE-CF). Per altri tipi di materiale contattare il nostro ufficio commerciale
- Esecuzione monodirezionale con foro di compensazione della pressione nella sfera
- Leva inox
- Dadi e molle stelo inox
- Per esecuzioni speciali con materiali (corpo/sfera/stelo) diversi dallo standard contattare il nostro ufficio commerciale
- Trattamento superficiale: zincatura bianca, verniciatura epossidica, (per altri trattamenti contattare il nostro ufficio commerciale).
- Marcatura e certificato ATEX A RICHIESTA

FEATURES ON REQUEST

- LF2 carbon steel for low temperature execution (-40 C°)
- For other flange types please contact our sales department.
- Sealing in: PTFE reinforced with glass (RPTFE-GF), PTFE reinforced with carbon-graphite (RPTFE-CF). For other types of materials please contact our sales department
- Mono-directional version with pressure-compensating hole in the ball
- Stainless steel lever
- For special versions in materials different from the standard (body, ball, stem), please contact our sales department.
- Stainless steel Stem nuts and springs
- Superficial treatment: white zinc coating, epoxy coating
- For other coating please contact our sales department
- ATEX marking and certificate ON REQUEST

CERTIFICAZIONI

- Conforme alla direttiva Europea 2014/68/UE PED; Fugitive Emission ISO 15848 (ISO FE BH-C03-SSA 0); TA-LUFT VDI 2440; FIRE SAFE: EN ISO 10497 / API 607
- API 6D: certificato n°6D-1007 solo per valvole con flangiatura ANSI
- Livello di sicurezza funzionale SIL 3 in accordo a IEC 61508
- Conforme alla direttiva ATEX 2014/34/UE, certificato ATEX A RICHIESTA

CERTIFICATIONS

- In compliance with European Directive 2014/68/EU PED; Fugitive Emission ISO 15848 (ISO FE BH-C03-SSA 0); TA-LUFT VDI 2440; FIRE SAFE: EN ISO 10497 / API 607
- API 6D: certificato n°6D-1007 only for valves with ANSI flange
- Safety integrity level up SIL3 according to the IEC 61508
- In compliance with ATEX 2014/34/EU Directive, ATEX certificate ON REQUEST.

NORME DI PROGETTAZIONE

- Spessori corpo in accordo a: ASME B16.34, ASME VIII div.1, EN 12516.
- **API 6D**
- Materials and rating in accordo ad ASME B16.34 per valvole ANSI ed EN 12516 per valvole PN

ENGINEERING STANDARD

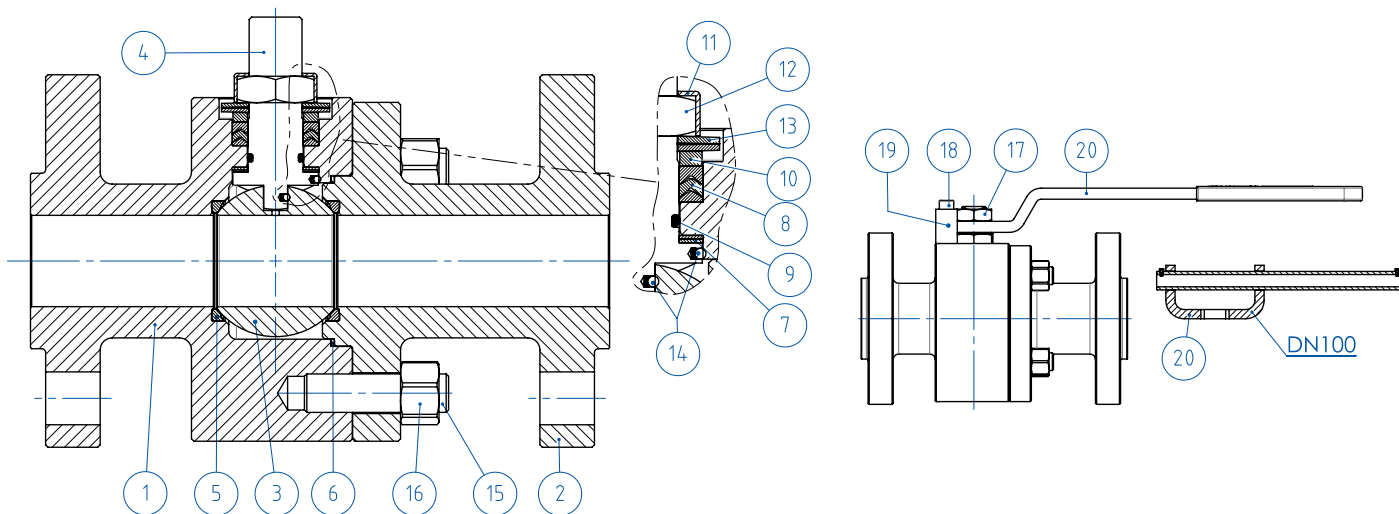
- Body thickness in compliance with: ASME B16.34, ASME VIII div.1, EN 12516.
- **API 6D**
- Materials and rating in compliance with ASME B16.34 for ANSI valves and EN 12516 for PN valves



THOR SPLIT BODY - PN 63-100 ANSI 600

ACCIAIO CARBONIO CARBON STEEL

TABELLA DEI MATERIALI MATERIALS TABLE



MATERIALI MATERIALS			
SPLIT BODY PN63-100 ANSI 600 acciaio carbonio carbon steel			
N°	Descrizione Description	A105 Carbon steel	LF2 Carbon steel
1	Corpo Body	ASTM A105	ASTM A350 LF2
2	Terminale Connector		
3	Sfera Ball	ASTM A351 CF8 (*)(**) (1.4308/Gx5CrNi19-10)	ASTM A351 CF8 (*)(**) (1.4308/Gx5CrNi19-10)
4	Stelo Stem	A564 TP.630 (17-4PH)	A564 TP.630 (17-4PH)
5*	Seggio Seat	DEVLON (.)	DEVLON (.)
6*	Guarnizione corpo-terminale Body-connector gasket	GRAFOIL	GRAFOIL
7*	Tenuta inferiore stelo Stem lower sealing	TFM1600 (.)●	TFM1600 (.)●
8*	Pacco a V Chevron rings	TFM1600 (.)	TFM1600 (.)
9*	O-ring stelo Stem o-ring	FKM (.)	FKM (.)
10	Anello premiguarnizione Packing gland ring	Acciaio al carbonio zincato - Carbon steel galvanized (x) (1)	Acciaio al carbonio zincato - Carbon steel galvanized (x) (1)
11	Piastra blocca dado Stop nut plate	304 S.S.	304 S.S.
12	Dado stelo Stem nut	UNI 3740-1 6S ZINCATO - Galvanized (x)	UNI 3740-1 6S ZINCATO - Galvanized (x)
13	Molle a tazza Springs washer	50CrV4 ZINCATO - Galvanized (xx)	50CrV4 ZINCATO - Galvanized (xx)
14	Dispositivo antistatico Antistatic device	316 S.S.	316 S.S.
15	Tiranti Stud bolt	ASTM A193-B7	ASTM A320-L7M
16	Dadi Nut	ASTM A194-Gr.2H	ASTM A194-Gr.7M
17	Controdado Lock nut	UNI 3740-1 6S ZINCATO-Galvanized (x)	UNI 3740-1 6S ZINCATO-Galvanized (x)
18	Vite di fermo Holder screw	A2-70 UNI 3740 (304 S.S.)	A2-70 UNI 3740 (304 S.S.)
19	Fermo di posizione Holder screw	Acciaio al carbonio zincato - Carbon steel galvanized (x)	Acciaio al carbonio zincato - Carbon steel galvanized (x)
20	Leva Lever	Fe37 zincato - Galvanized (x)	Fe37 zincato - Galvanized (x)

* Componenti del kit di guarnizioni Components of seals kit

A richiesta disponibile in: Available on request:

(*): A351 CF8M

(**): Per ≤DN32 disponibile solo in CF8M For ≤DN32 available only in CF8M

(x): 304 s.s.

(xx): 301 s.s.

●: per ≤DN32 disponibile solo in DEVLON for ≤DN32 available only in DEVLON

(1): Per DN100 disponibile solo in 304 DN100 available only in 304

(.): Altri materiali disponibili a richiesta Other materials available on request

**THOR SPLIT BODY - PN 63-100 ANSI 600****ACCIAIO CARBONIO CARBON STEEL****ASSE LIBERO E CON LEVA FREE SHAFT AND WITH LEVER**CERTIFICATO API 6D SOLO PER VALVOLE ANSI
API 6D CERTIFICATE ONLY FOR ANSI VALVES**CODICI VALVOLE ASSE LIBERO (V_) E CON LEVA (L_) IN ACCIAIO CARBONIO -PN-
CARBON STEEL BARE SHAFT (V_) AND LEVER (L_) OPERATED VALVE CODE -PN-**

MISURA DN [mm]	SIZE [inch]	PN	A105 Carbon steel	LF2 Carbon steel
DN 15	1/2"	PN 63-100	V/LT104N03CAA0AFMRV00B	V/LT104N03CBA0AHMRV00B
DN 20	3/4"	PN 63-100	V/LT105N03CAA0AFMRV00B	V/LT105N03CBA0AHMRV00B
DN 25	1"	PN63-100	V/LT106N03CAA0AGMRV00B	V/LT106N03CBA0AIMRV00B
DN 32	1" 1/4	PN63-100	V/LT107N03CAA0AGMRV00B	V/LT107N03CBA0AIMRV00B
DN 40	1" 1/2	PN63-100	V/LT108N03CAB0AGMNV00B	V/LT108N03CBB0AIMNV00B
DN 50	2"	PN63	V/LT109K03CAB0AGMNV00B	V/LT109K03CBB0AIMNV00B
DN 50	2"	PN100	V/LT109L03CAB0AGMNV00B	V/LT109L03CBB0AIMNV00B
DN 65	2" 1/2	PN63	V/LT110K03CAB0AGMNV00B	V/LT110K03CBB0AIMNV00B
DN 65	2" 1/2	PN100	V/LT110L03CAB0AGMNV00B	V/LT110L03CBB0AIMNV00B
DN 80	3"	PN63	V/LT111K03CAB0AGMNV00B	V/LT111K03CBB0AIMNV00B
DN 80	3"	PN100	V/LT111L03CAB0AGMNV00B	V/LT111L03CBB0AIMNV00B
DN 100	4"	PN63	V/LT112K03CAB0AGMNV00B	V/LT112K03CBB0AIMNV00B
DN 100	4"	PN100	V/LT112L03CAB0AGMNV00B	V/LT112L03CBB0AIMNV00B

**CODICI VALVOLE ASSE LIBERO (V_) E CON LEVA (L_) IN ACCIAIO CARBONIO -ANSI-
CARBON STEEL BARE SHAFT (V_) AND LEVER (L_) OPERATED VALVE CODE -ANSI-**

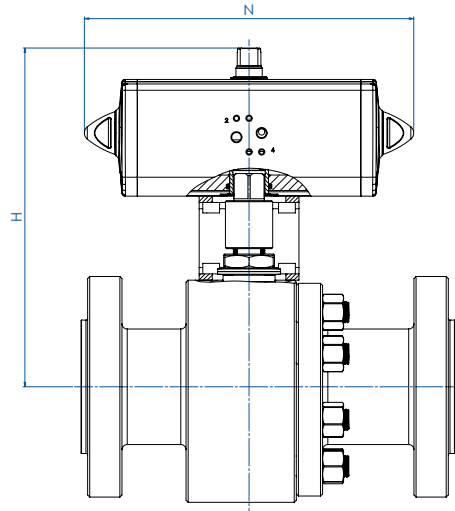
MISURA DN [mm]	SIZE [inch]	ANSI	A105 Carbon steel	LF2 Carbon steel
DN 15	1/2"	ANSI 600	V/LT104404CAA0AFMRV00B	V/LT104404CBA0AHMRV00B
DN 20	3/4"	ANSI 600	V/LT105404CAA0AFMRV00B	V/LT105404CBA0AHMRV00B
DN 25	1"	ANSI 600	V/LT106404CAA0AGMRV00B	V/LT106404CBA0AIMRV00B
DN 32	1" 1/4	ANSI 600	V/LT107404CAA0AGMRV00B	V/LT107404CBA0AIMRV00B
DN 40	1" 1/2	ANSI 600	V/LT108404CAB0AGMNV00B	V/LT108404CBB0AIMNV00B
DN 50	2"	ANSI 600	V/LT109404CAB0AGMNV00B	V/LT109404CBB0AIMNV00B
DN 65	2" 1/2	ANSI 600	V/LT110404CAB0AGMNV00B	V/LT110404CBB0AIMNV00B
DN 80	3"	ANSI 600	V/LT111404CAB0AGMNV00B	V/LT111404CBB0AIMNV00B
DN 100	4"	ANSI 600	V/LT112404CAB0AGMNV00B	V/LT112404CBB0AIMNV00B



THOR SPLIT BODY - PN 63-100

ACCIAIO CARBONIO *CARBON STEEL*

CON ATTUATORE PNEUMATICO DOPPIO EFFETTO *WITH DOUBLE ACTING PNEUMATIC ACTUATOR*

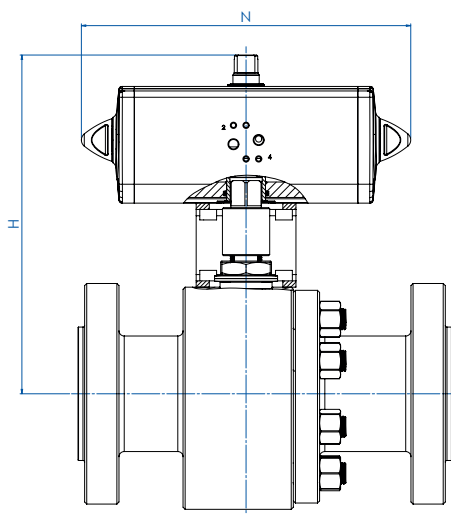


CODICI ARTICOLI IN A105 ACCIAIO CARBONIO *ITEM CODES IN A105 CARBON STEEL*

MISURA DN [mm]	SIZE [inch]	PN	CODICE ARTICOLO ITEM CODE	ATTUATORE ACTUATOR	KIT di montaggio Mounting KIT	N [mm]	H [mm]	Peso Kg Weight Kg
DN 15	1/2"	PN 63-100	DT104N03CAA0AFMRV00BAFCA0	DAN0030411S	KCNBCHD5340	174,2	179,2	8,0
DN 20	3/4"	PN 63-100	DT105N03CAA0AFMRV00BAFDA0	DAN0045412S	KCNBCHD5341	188,5	189,5	9,8
DN 25	1"	PN 63-100	DT106N03CAA0AGMRV00BAFEA0	DAN0060412S	KCNCCHD5342	198,0	200,4	13,4
DN 32	1" 1/4	PN 63-100	DT107N03CAA0AGMRV00BAFGA0	DAN0106411S	KCNCCHD5343	237,0	218,3	17,0
DN 40	1" 1/2	PN 63-100	DT108N03CAB0AGMNV00BAFHA0	DAN0120411S	KCNDDHD5344	244,1	235,0	24,0
DN 50	2"	PN 63	DT109K03CAB0AGMNV00BAFIA0	DAN0180411S	KCNDDHD5393	289,9	271,5	30,9
DN 50	2"	PN 100	DT109L03CAB0AGMNV00BAFIA0	DAN0180411S	KCNDDHD5393	289,9	271,5	33,1
DN 65	2" 1/2	PN 63	DT110K03CAB0AGMNV00BAFJA0	DAN0240411S	KCNEEHD5346	313,6	315,1	51,3
DN 65	2" 1/2	PN 100	DT110L03CAB0AGMNV00BAFJA0	DAN0240411S	KCNEEHD5346	313,6	315,1	54,3
DN 80	3"	PN 63	DT111K03CAB0AGMNV00BAFKA0	DAN0360411S	KCNEEHD5346	339,3	329,5	60,3
DN 80	3"	PN 100	DT111L03CAB0AGMNV00BAFKA0	DAN0360411S	KCNEEHD5346	339,3	329,5	63,3
DN 100	4"	PN 63	DT112K03CAB0AGMNV00BAFMA0	DAN0720411S	KCNFGHD5365	433,1	404,0	118,9
DN 100	4"	PN 100	DT112L03CAB0AGMNV00BAFMA0	DAN0720411S	KCNFGHD5365	433,1	404,0	122,9

CODICI ARTICOLI IN LF2 ACCIAIO CARBONIO *ITEM CODES IN LF2 CARBON STEEL*

MISURA DN [mm]	SIZE [inch]	PN	CODICE ARTICOLO ITEM CODE	ATTUATORE ACTUATOR	KIT di montaggio Mounting KIT	N [mm]	H [mm]	Peso Kg Weight Kg
DN 15	1/2"	PN 63-100	DT104N03CBA0AHMRV00BAFCA0	DAN0030411S	KCNBCHD5340	174,2	179,2	8,0
DN 20	3/4"	PN 63-100	DT105N03CBA0AHMRV00BAFDA0	DAN0045412S	KCNBCHD5341	188,5	189,5	9,8
DN 25	1"	PN 63-100	DT106N03CBA0AIMRV00BAFEA0	DAN0060412S	KCNCCHD5342	198,0	200,4	13,4
DN 32	1" 1/4	PN 63-100	DT107N03CBA0AIMRV00BAFGA0	DAN0106411S	KCNCCHD5343	237,0	218,3	17,0
DN 40	1" 1/2	PN 63-100	DT108N03CBB0AIMNV00BAFHA0	DAN0120411S	KCNDDHD5344	244,1	235,0	24,0
DN 50	2"	PN 63	DT109K03CBB0AIMNV00BAFIA0	DAN0180411S	KCNDDHD5393	289,9	271,5	30,9
DN 50	2"	PN 100	DT109L03CBB0AIMNV00BAFIA0	DAN0180411S	KCNDDHD5393	289,9	271,5	33,1
DN 65	2" 1/2	PN 63	DT110K03CBB0AIMNV00BAFJA0	DAN0240411S	KCNEEHD5346	313,6	315,1	51,3
DN 65	2" 1/2	PN 100	DT110L03CBB0AIMNV00BAFJA0	DAN0240411S	KCNEEHD5346	313,6	315,1	54,3
DN 80	3"	PN 63	DT111K03CBB0AIMNV00BAFKA0	DAN0360411S	KCNEEHD5346	339,3	329,5	60,3
DN 80	3"	PN 100	DT111L03CBB0AIMNV00BAFKA0	DAN0360411S	KCNEEHD5346	339,3	329,5	63,3
DN 100	4"	PN 63	DT112K03CBB0AIMNV00BAFMA0	DAN0720411S	KCNFGHD5365	433,1	404,0	118,9
DN 100	4"	PN 100	DT112L03CBB0AIMNV00BAFMA0	DAN0720411S	KCNFGHD5365	433,1	404,0	122,9

**THOR SPLIT BODY - ANSI 600****ACCIAIO CARBONIO CARBON STEEL****CON ATTUATORE PNEUMATICO DOPPIO EFFETTO WITH DOUBLE ACTING PNEUMATIC ACTUATOR****CODICI ARTICOLI IN A105 ACCIAIO CARBONIO ITEM CODES IN A105 CARBON STEEL**

MISURA DN [mm]	SIZE [inch]	ANSI	CODICE ARTICOLO ITEM CODE	ATTUATORE ACTUATOR	KIT di montaggio Mounting KIT	N [mm]	H [mm]	Peso Kg Weight Kg
DN 20	3/4"	ANSI 600	DT105404CAA0AFMRV00BAFDA0	DAN0045412S	KCNBCHD5341	188,5	189,5	8,4
DN 25	1"	ANSI 600	DT106404CAA0AGMRV00BAFEA0	DAN0060412S	KCNCCHD5342	198,0	200,4	11,7
DN 32	1" 1/4	ANSI 600	DT107404CAA0AGMRV00BAFGA0	DAN0106411S	KCNCCHD5343	237,0	218,3	15,4
DN 40	1" 1/2	ANSI 600	DT108404CAB0AGMNV00BAFHA0	DAN0120411S	KCNDHD5344	244,1	235,0	22,5
DN 50	2"	ANSI 600	DT109404CAB0AGMNV00BAFIA0	DAN0180411S	KCNDHD5393	289,9	271,5	29,7
DN 65	2" 1/2	ANSI 600	DT110404CAB0AGMNV00BAFJA0	DAN0240411S	KCNEEHD5346	313,6	315,1	51,6
DN 80	3"	ANSI 600	DT111404CAB0AGMNV00BAFKA0	DAN0360411S	KCNEEHD5346	339,3	329,5	62,4
DN 100	4"	ANSI 600	DT112404CAB0AGMNV00BAFMA0	DAN0720411S	KCNFGHD5365	433,1	404,0	129,9

CODICI ARTICOLI IN LF2 ACCIAIO CARBONIO ITEM CODES IN LF2 CARBON STEEL

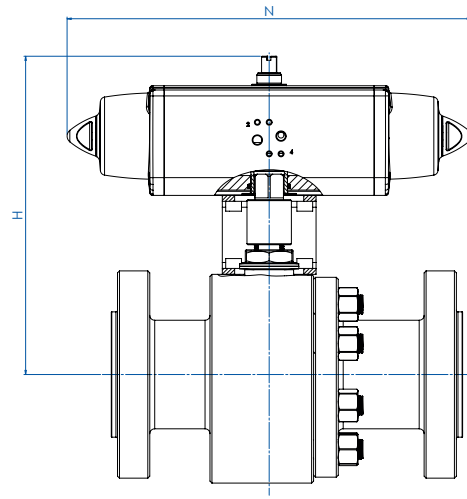
MISURA DN [mm]	SIZE [inch]	ANSI	CODICE ARTICOLO ITEM CODE	ATTUATORE ACTUATOR	KIT di montaggio Mounting KIT	N [mm]	H [mm]	Peso Kg Weight Kg
DN 20	3/4"	ANSI 600	DT105404CBA0AHMRV00BAFDA0	DAN0045412S	KCNBCHD5341	188,5	189,5	8,4
DN 25	1"	ANSI 600	DT106404CBA0AIMRV00BAFEA0	DAN0060412S	KCNCCHD5342	198,0	200,4	11,7
DN 32	1" 1/4	ANSI 600	DT107404CBA0AIMRV00BAFGA0	DAN0106411S	KCNCCHD5343	237,0	218,3	15,4
DN 40	1" 1/2	ANSI 600	DT108404CBB0AIMNV00BAFHA0	DAN0120411S	KCNDHD5344	244,1	235,0	22,5
DN 50	2"	ANSI 600	DT109404CBB0AIMNV00BAFIA0	DAN0180411S	KCNDHD5393	289,9	271,5	29,7
DN 65	2" 1/2	ANSI 600	DT110404CBB0AIMNV00BAFJA0	DAN0240411S	KCNEEHD5346	313,6	315,1	51,6
DN 80	3"	ANSI 600	DT111404CBB0AIMNV00BAFKA0	DAN0360411S	KCNEEHD5346	339,3	329,5	62,4
DN 100	4"	ANSI 600	DT112404CBB0AIMNV00BAFMA0	DAN0720411S	KCNFGHD5365	433,1	404,0	129,9



THOR SPLIT BODY - PN 63-100

ACCIAIO CARBONIO *CARBON STEEL*

CON ATTUATORE PNEUMATICO SEMPLICE EFFETTO *WITH SPRING RETURN PNEUMATIC ACTUATOR*



CODICI ARTICOLI IN A105 ACCIAIO CARBONIO *ITEM CODES IN A105 CARBON STEEL*

MISURA DN [mm]	SIZE [inch]	PN	CODICE ARTICOLO ITEM CODE	ATTUATORE ACTUATOR	KIT di montaggio Mounting KIT	N [mm]	H [mm]	Peso Kg Weight Kg
DN 15	1/2"	PN 63-100	ST104N03CAA0AFMRV00BAFEA0	SRN0030402S	KCNBCHD5350	258,8	190,4	9,0
DN 20	3/4"	PN 63-100	ST105N03CAA0AFMRV00BAFGA0	SRN0053401S	KCNBCHD5351	304,2	208,3	11,7
DN 25	1"	PN 63-100	ST106N03CAA0AGMRV00BAFHAA0	SRN0060401S	KCNCCHD5343	338,5	217,0	15,2
DN 32	1" 1/4	PN 63-100	ST107N03CAA0AGMRV00BAFIA0	SRN0090401S	KCNCDDHD5352	393,7	252,5	20,8
DN 40	1" 1/2	PN 63-100	ST108N03CAB0AGMNV00BAFJAA0	SRN0120401S	KCNDDHD5353	409,6	269,1	28,4
DN 50	2"	PN 63	ST109K03CAB0AGMNV00BAFKAA0	SRN0180401S	KCNDDHD5393	474,0	282,0	35,2
DN 50	2"	PN 100	ST109L03CAB0AGMNV00BAFKAA0	SRN0180401S	KCNDDHD5393	474,0	282,0	37,4
DN 65	2" 1/2	PN 63	ST110K03CAB0AGMNV00BAFLAA0	SRN0240401S	KCNEEHD5354	520,5	339,0	57,7
DN 65	2" 1/2	PN 100	ST110L03CAB0AGMNV00BAFLAA0	SRN0240401S	KCNEEHD5354	520,5	339,0	60,7
DN 80	3"	PN 63	ST111K03CAB0AGMNV00BAFMAA0	SRN0360401S	KCNEEHD5354	613,0	346,5	70,3
DN 80	3"	PN 100	ST111L03CAB0AGMNV00BAFMAA0	SRN0360401S	KCNEEHD5354	613,0	346,5	73,7
DN 100	4"	PN 63	ST112K03CAB0AGMNV00BAFQAA0	SRN0720401S	KCNGGHD5369	798,0	442,0	140,7
DN 100	4"	PN 100	ST112L03CAB0AGMNV00BAFQAA0	SRN0720401S	KCNGGHD5369	798,0	442,0	144,7

CODICI ARTICOLI IN LF2 ACCIAIO CARBONIO *ITEM CODES IN LF2 CARBON STEEL*

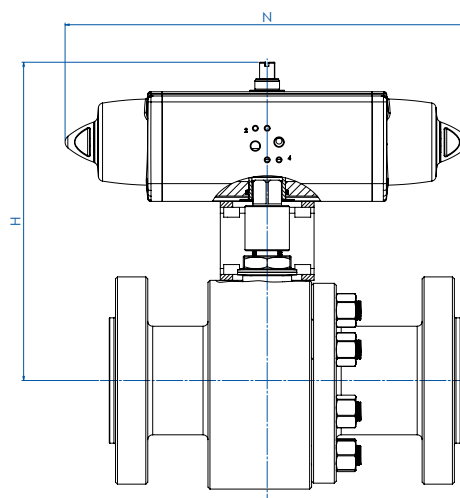
MISURA DN [mm]	SIZE [inch]	PN	CODICE ARTICOLO ITEM CODE	ATTUATORE ACTUATOR	KIT di montaggio Mounting KIT	N [mm]	H [mm]	Peso Kg Weight Kg
DN 15	1/2"	PN 63-100	ST104N03CBA0AHMRV00BAFEA0	SRN0030402S	KCNBCHD5350	258,8	190,4	9,0
DN 20	3/4"	PN 63-100	ST105N03CBA0AHMRV00BAFGA0	SRN0053401S	KCNBCHD5351	304,2	208,3	11,7
DN 25	1"	PN 63-100	ST106N03CBA0AIMRV00BAFHAA0	SRN0060401S	KCNCCHD5343	338,5	217,0	15,2
DN 32	1" 1/4	PN 63-100	ST107N03CBA0AIMRV00BAFIA0	SRN0090401S	KCNCDDHD5352	393,7	252,5	20,8
DN 40	1" 1/2	PN 63-100	ST108N03CBB0AIMNV00BAFJAA0	SRN0120401S	KCNDDHD5353	409,6	269,1	28,4
DN 50	2"	PN 63	ST109K03CBB0AIMNV00BAFKAA0	SRN0180401S	KCNDDHD5393	474,0	282,0	35,2
DN 50	2"	PN 100	ST109L03CBB0AIMNV00BAFKAA0	SRN0180401S	KCNDDHD5393	474,0	282,0	37,4
DN 65	2" 1/2	PN 63	ST110K03CBB0AIMNV00BAFLAA0	SRN0240401S	KCNEEHD5354	520,5	339,0	57,7
DN 65	2" 1/2	PN 100	ST110L03CBB0AIMNV00BAFLAA0	SRN0240401S	KCNEEHD5354	520,5	339,0	60,7
DN 80	3"	PN 63	ST111K03CBB0AIMNV00BAFMAA0	SRN0360401S	KCNEEHD5354	613,0	346,5	70,3
DN 80	3"	PN 100	ST111L03CBB0AIMNV00BAFMAA0	SRN0360401S	KCNEEHD5354	613,0	346,5	73,7
DN 100	4"	PN 63	ST112K03CBB0AIMNV00BAFQAA0	SRN0720401S	KCNGGHD5369	798,0	442,0	140,7
DN 100	4"	PN 100	ST112L03CBB0AIMNV00BAFQAA0	SRN0720401S	KCNGGHD5369	798,0	442,0	144,7



THOR SPLIT BODY - ANSI 600

ACCIAIO CARBONIO *CARBON STEEL*

CON ATTUATORE PNEUMATICO SEMPLICE EFFETTO *WITH SPRING RETURN PNEUMATIC ACTUATOR*



CODICI ARTICOLI IN A105 ACCIAIO CARBONIO *ITEM CODES IN A105 CARBON STEEL*

MISURA	SIZE	ANSI	CODICE ARTICOLO <i>ITEM CODE</i>	ATTUATORE <i>ACTUATOR</i>	KIT di montaggio <i>Mounting KIT</i>	N [mm]	H [mm]	Peso Kg <i>Weight Kg</i>
DN [mm]	[inch]							
DN 15	1/2"	ANSI 600	ST104404CAA0AFMRV00BAFEA0	SRN0030402S	KCNBCHD5350	258,8	190,4	8,2
DN 20	3/4"	ANSI 600	ST105404CAA0AFMRV00BAFGA0	SRN0053401S	KCNBCHD5351	304,2	208,3	10,3
DN 25	1"	ANSI 600	ST106404CAA0AGMRV00BAFHAA0	SRN0060401S	KCNCCHD5343	338,5	217,0	13,5
DN 32	1" 1/4	ANSI 600	ST107404CAA0AGMRV00BAFIA0	SRN0090401S	KCNCDDH5352	393,7	252,5	19,2
DN 40	1" 1/2	ANSI 600	ST108404CAB0AGMNV00BAFJAA0	SRN0120401S	KCNDDDH5353	409,6	269,1	26,9
DN 50	2"	ANSI 600	ST109404CAB0AGMNV00BAFKAA0	SRN0180401S	KCNDDDH5393	474,0	282,0	34,0
DN 65	2" 1/2	ANSI 600	ST110404CAB0AGMNV00BAFLAA0	SRN0240401S	KCNEEHD5354	520,5	339,0	58,0
DN 80	3"	ANSI 600	ST111404CAB0AGMNV00BAFMAA0	SRN0360401S	KCNEEHD5354	613,0	359,5	72,4
DN 100	4"	ANSI 600	ST112404CAB0AGMNV00BAFQAA0	SRN0720401S	KCNGGHD5369	798,0	442,0	151,7

CODICI ARTICOLI IN LF2 ACCIAIO CARBONIO *ITEM CODES IN LF2 CARBON STEEL*

MISURA	SIZE	ANSI	CODICE ARTICOLO <i>ITEM CODE</i>	ATTUATORE <i>ACTUATOR</i>	KIT di montaggio <i>Mounting KIT</i>	N [mm]	H [mm]	Peso Kg <i>Weight Kg</i>
DN [mm]	[inch]							
DN 15	1/2"	ANSI 600	ST104404CBA0AHMRV00BAFEA0	SRN0030402S	KCNBCHD5350	258,8	190,4	8,2
DN 20	3/4"	ANSI 600	ST105404CBA0AHMRV00BAFGA0	SRN0053401S	KCNBCHD5351	304,2	208,3	10,3
DN 25	1"	ANSI 600	ST106404CBA0AIMRV00BAFHAA0	SRN0060401S	KCNCCHD5343	338,5	217,0	13,5
DN 32	1" 1/4	ANSI 600	ST107404CBA0AIMRV00BAFIA0	SRN0090401S	KCNCDDH5352	393,7	252,5	19,2
DN 40	1" 1/2	ANSI 600	ST108404CBB0AIMNV00BAFJAA0	SRN0120401S	KCNDDDH5353	409,6	269,1	26,9
DN 50	2"	ANSI 600	ST109404CBB0AIMNV00BAFKAA0	SRN0180401S	KCNDDDH5393	474,0	282,0	34,0
DN 65	2" 1/2	ANSI 600	ST110404CBB0AIMNV00BAFLAA0	SRN0240401S	KCNEEHD5354	520,5	339,0	58,0
DN 80	3"	ANSI 600	ST111404CBB0AIMNV00BAFMAA0	SRN0360401S	KCNEEHD5354	613,0	359,5	72,4
DN 100	4"	ANSI 600	ST112404CBB0AIMNV00BAFQAA0	SRN0720401S	KCNGGHD5369	798,0	442,0	151,7