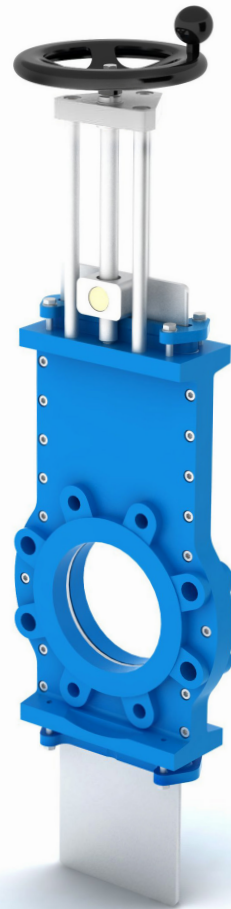
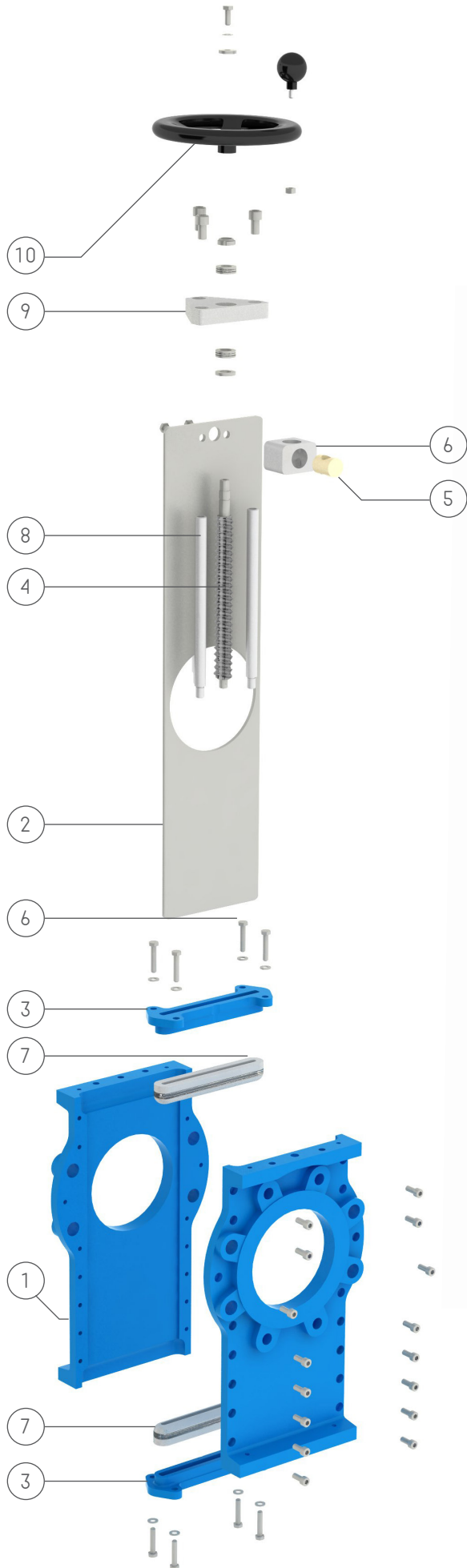


VALVOLA A LAMA PASSANTE CON COMANDO A VOLANTINO

THROUGH CONDUIT VALVE WITH MANUAL CONTROL

ART 05



MATERIALI E CARATTERISTICHE / MATERIALS AND CHARACTERISTICS

| | | |
|---|--|--|
| 1 | Corpo / Body | GG25, CF8M, Ferro, Acciaio antiusura / GG25, CF8M, Iron, Antiusury steel |
| 2 | Paratoia / Gate | AISI 304, AISI 316, Durtostat 400, SAF 2205 / AISI 304, AISI 316, Durtostat 400, SAF 2205 |
| 3 | Premistoppa / Gland follower | GG25, CF8M / GG25, CF8M |
| 4 | Asta filettata NON SALIENTE / NOT SALIENT threaded rod | AISI 304 / AISI 304 |
| 5 | Chiocciola / Nut | Ottone, Bronzo / Brass, Bronze |
| 6 | Blocchetto / Support | Alluminio / Aluminium |
| 7 | Baderne / Packings | Treccia teflonata, grafitata, cotonata e silicone / Teflon graphited or cotton braid and silicon |
| 8 | Colonne / Columns | Ferro zincato, Inox / Galvanized iron, Stainless Steel |
| 9 | Piastra supporto / Support Plate | Ferro verniciato, Inox / Painted Iron, Stainless Steel |
| 10 | Comando / Control | Volantino in Ferro verniciato / Iron painted handwheel |
| | OR / OR | NBR, EPDM, FPM, PTFE (se richiesto) / NBR, EPDM, FPM, PTFE (on demand) |
| Passaggio / Passage | | Totale / Total |
| Tenuta verso esterno / Seal towards the outside | | 100% |
| Tenuta monte/valle / Upstream/downstream seal | | 100% se con o-ring / 100% with o-ring |
| Foratura Flange / Flange drilling | | UNI EN 1092 -1 |

Altri materiali e/o versioni a richiesta / Other materials and/or versions up on request

VALVOLA A LAMA PASSANTE CON COMANDO A VOLANTINO / THROUGH CONDUIT VALVE WITH MANUAL CONTROL

| DN | | MISURE (mm) DIMENSION (mm) | | | | PESO WEIGHT | PRESSIONE MAX AMMISSIBILE MAX OPERATING PRESSURE |
|--------|-----|-------------------------------|----|------|------|----------------|---|
| inch | mm | Y | K | H | L | | |
| 2" | 50 | 125 | 50 | 384 | 165 | 14 | ≤ 5 bar |
| 2 1/2" | 65 | 145 | 50 | 415 | 195 | 15 | ≤ 5 bar |
| 3" | 80 | 160 | 55 | 442 | 225 | 18 | ≤ 5 bar |
| 4" | 100 | 180 | 55 | 491 | 267 | 21 | ≤ 5 bar |
| 5" | 125 | 210 | 55 | 546 | 310 | 29 | ≤ 5 bar |
| 6" | 150 | 240 | 60 | 617 | 321 | 34 | ≤ 5 bar |
| 8" | 200 | 295 | 60 | 764 | 430 | 48 | ≤ 4 bar |
| 10" | 250 | 350 | 65 | 899 | 533 | 88 | ≤ 3 bar |
| 12" | 300 | 400 | 70 | 1025 | 665 | 98 | ≤ 2,5 bar |
| 14" | 350 | 460 | 75 | 1182 | 815 | 136 | ≤ 2 bar |
| 16" | 400 | 515 | 75 | 1450 | 915 | 200 | ≤ 1,5 bar |
| 18" | 450 | 565 | 75 | 1600 | 965 | 280 | ≤ 1 bar |
| 20" | 500 | 620 | 80 | 1700 | 1115 | 320 | ≤ 1 bar |
| 24" | 600 | 725 | 80 | 1900 | 1265 | 405 | ≤ 1 bar |

