



Technical Data Sheet

Type 63-4R



2/2-way dosing valve
 Pressure operated dosing valve with electro-pneumatic positioner for dosing applications.

■ Dosing valve for gaseous and liquid media

Type 63-4R

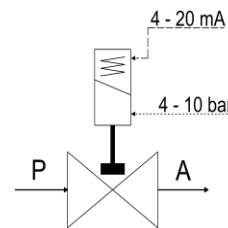
TECHNICAL SPECIFICATIONS

Type of control	Pressure operated dosing valve
Design	Seat valve with cone-type piston
Connection	Threaded G1/2 - G2 DIN ISO 228/1 (BSP)
Installation	Preferable with actuator upright
Pressure	0 - 40 bar (see table on page 2)
Medium	Clean, neutral, gaseous and liquid media
Flow range	0 - 35 m ³ /h see table on page 2
Viscosity	600 mm ² /s
Temperature range	Medium: -40 °C up to +150 °C Ambient: -15 °C up to +60 °C
Body material	Red brass RG5 Stainless steel 1.4408
Metallic inner parts	Brass and stainless steel
Sealing	PTFE
Supply voltage	24 VDC
Voltage tolerance	-10% / +10%
Power consumption	100 mA
Power	2,4 W
Input signal	4-20 mA (basic setting) optional 0-10 V (selectable by menu)
Output signal	According to the input signal (Selectable independent of the input signal)
Protection class	IP65 acc. to DIN 60529
Connection of control medium	G 1/8
Control medium	clean and neutral gases
Control pressure	4-10 bar
Quality	Compressed air class 3 (Medium quality according to ISO 8573-1)

VALVE FEATURES

- Ideal for continuous media control
- Even in higher temperature ranges
- High dosing accuracy
- High control accuracy
- Three safety-setting-options(open/closed/remain)
- No additional electronics required for adjustment.

FUNCTION



CERTIFICATES

	EMV	ROHS
	DIN EN 61000	

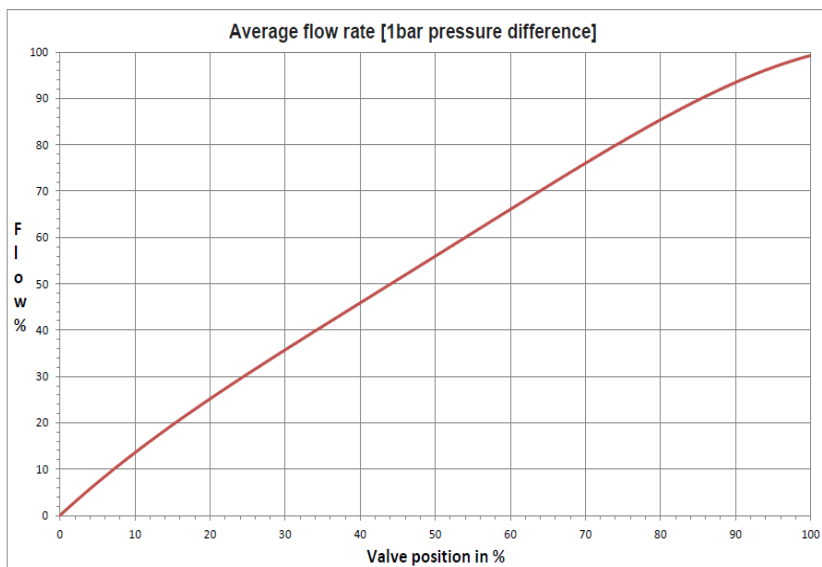
ORDERING SYSTEM

Valve type		Actuator	Valve options
. 6 3 2 3 / 0 8 0 4 /		7 5 1 5	- 4 R
Connection	Body material		Positioner
23 G 1/2	08 Stainless steel	15 50 mm	
24 G 3/4	1.4408	55 50 mm	
25 G 1	11 Red brass RG5	58 80 mm	
26 G 1 1/4		63 125 mm	
27 G 1 1/2			
28 G 2	Seal material	71 Standard actuator	
	04 PTFE	75 Actuator chem. nickel plated	

TECHNICAL FEATURES

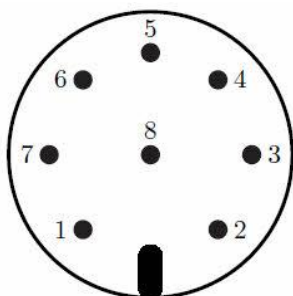
G	Seat Ø mm	Kv-value m³/h	Standard type	max. pressure with actuator type		
				7..5	7.58	7.63
1/2	13,5	3,2 (3,4)	.6323/..04/7...-4R	0-16 (0-40)	-	-
3/4	27,5	6,0 (6,5)	.6324/..04/7...-4R	0-16 (0-20)	-	-
1	27,5	13,5 (13,8)	.6325/..04/7...-4R	0-10 (0-10)	0-16 (0-22)	-
1 1/4	40	17,0 (18,0)	.6326/..04/7...-4R	-	0-12 (0-12)	0-16 (0-40)
1 1/2	40	30,0 (30,0)	.6327/..04/7...-4R	-	0-8 (0-8)	0-16 (0-30)
2	50	35,0 (40,0)	.6328/..04/7...-4R	-	0-5 (0-5)	0-16 (0-20)

The values in brackets apply to the stainless steel version.



Acquisition range	0 - 23 mm
Resolution	0,5% of max. stroke
Repeat accuracy	< 1%
Hysteresis	< 1%
Responsiveness	< 1%
Adjustment range	1:200

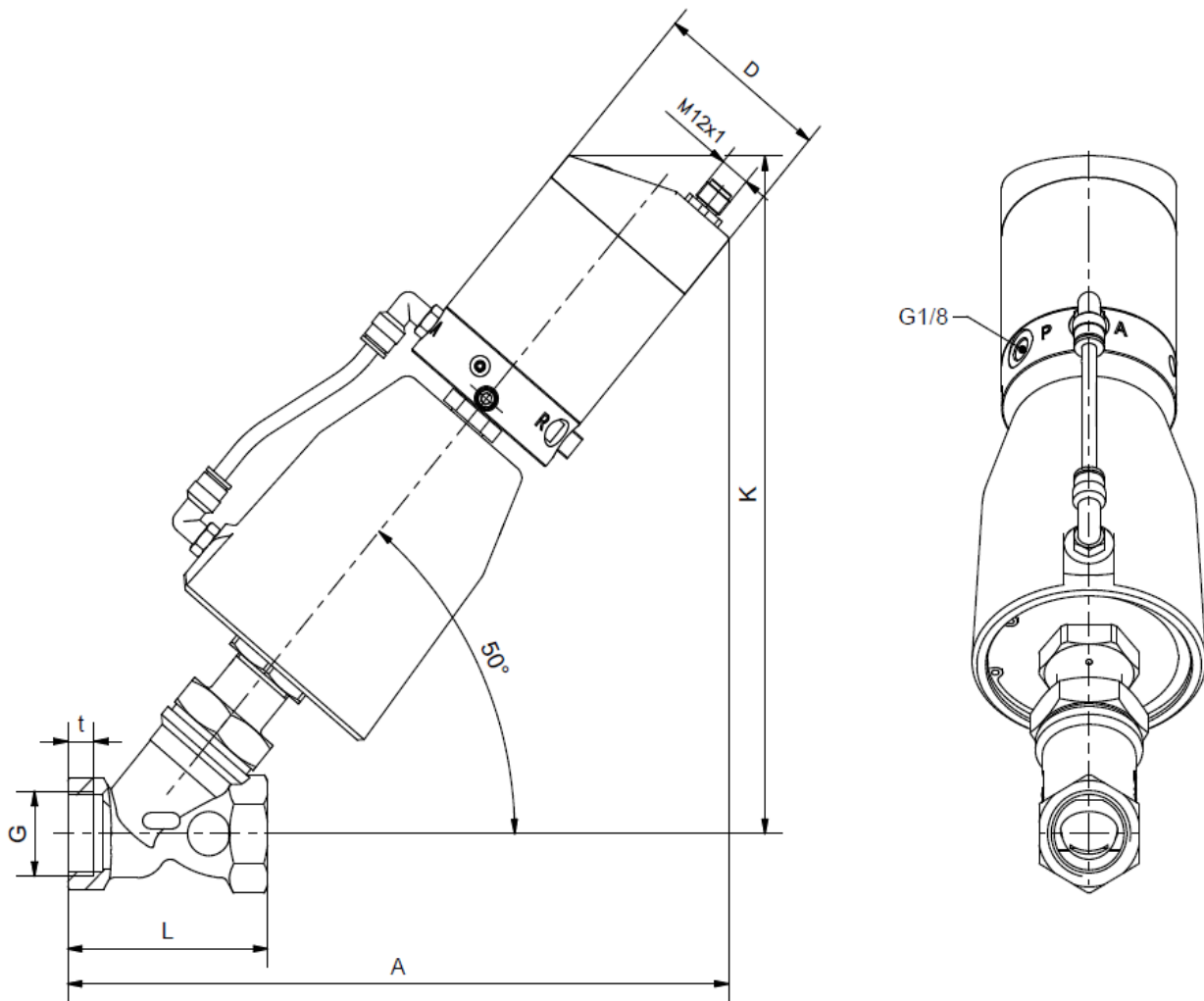
ELECTRICAL CONNECTION



Pin 1 = white	Outlet 2: 0-5 VDC - digital/constant
Pin 2 = brown	Supply voltage: 24 VDC
Pin 3 = green	Ground: 0 V
Pin 4 = yellow	Input signal: 0-10 VDC
Pin 5 = gray	Output signal: 0-10 VDC
Pin 6 = pink	Output1: 0-5 VDC - Digital/Konstant
Pin 7 = blue	Input signal: 4-20 mA
Pin 8 = red	Output signal: 4-20 mA

NOTE: The connected cable to the positioner must not be longer than 30 meters.

DIMENSIONS



Actuator	7.5			7.58				7.63		
	.6323	.6324	.6325	.6325	.6326	.6327	.6328	.6326	.6327	.6328
G	1/2	3/4	1	1	1 1/4	1 1/2	2	1 1/4	1 1/2	2
A	227	229	232	264	273	280	290	315	320	332
D	70	70	70	70	70	70	70	70	70	70
K	219	220	222	260	265	271	280	315	322	330
L	66 (65)	75 (75)	80 (90)	80 (90)	97 (110)	107 (120)	124 (150)	97 (110)	107 (120)	124 (150)
t	13 (12)	14,5 (13)	10,5 (15)	10,5 (15)	12,5 (17)	14,5 (19)	16,5 (21)	12,5 (17)	14,5 (19)	16,5 (21)
kg	1,9	2	2	2,8	3,1	3,3	3,9	6,4	6,9	7,2

The values in brackets apply to the stainless steel version.

INFORMATION

- It is imperative to observe the installation and safety instructions in our operating and service manuals.
- For information on our GSR ordering code, please refer to our catalogs. If you have any questions, we will be glad to assist you.
- Required ordering information: valve type, function NC/NO, pressure range, connection, nominal width, medium, flow rate, medium and ambient temperatures, connection voltage.
- **Detailed production-specific drawings and other technical information will be made available when an order is placed**

PLEASE NOTE

Each individual application decides which valve type is required, the main factor being the resistance of the materials to the operating medium. The correct selection of materials requires knowledge of the concentration, temperature and degree of contamination of the medium. Other criteria include the operating pressure and max. volumetric flow, since , in addition to high temperatures , high pressures and high flow rates must also be taken into account when selecting the materials.

All materials used for our valves, be it housing, seals or magnets, will be carefully selected in view of the different application areas. Any information given is non-binding and serves for orientation only. No claims under warranty can be derived therefrom.

- The GSR logo is a registered trademark of GSR Ventiltechnik GmbH & Co. KG.
- Note: All texts and images are the property of GSR Ventiltechnik GmbH & Co. KG and must not be replicated or modified, not even in part, without written approval.
- Original products may differ from the product images shown, due to different materials and the like.
- Subject to error and changes.

Stand: 01.17, MK-MG, Version 1.