

HIGH TEMPERATURE SPECIAL

up to 400 °C



Innovative Valve Technology

VALVES UP TO 400 °C

Type 2/640

- 2/2-Way direct-pressure controlled valve
- Material: stainless steel 1.4581, brass 2.0402, GP 240 GH
- Pressure range: 0-40 bar
- Thread connection or flanged connection: G^{1/4}-G2, DN15-DN100
- With spacer



Applications:

- Hardening plants
- Blast-furnace constructions
- Coking plants
- Heavy oil
- Steam plants
- Water-steam turbines

VALVES UP TO 350 °C

Type 22DT

- 2/2-Way direct-pressure controlled valve
- Material: stainless steel 1.4581 or GP240 GH
- Pressure range: 0-40 bar
- Flanged connection: DN15-DN100
- With spacer



Type 63DT

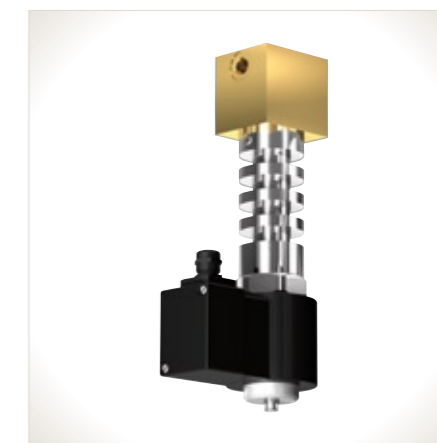
- 2/2-Way direct-pressure controlled valve
- Material: stainless steel 1.4408, red brass 2.1096 or brass 2.0402
- Pressure range: 0-40 bar
- Thread connection: G^{1/2}-G2
- With spacer



VALVES UP TO 300 °C

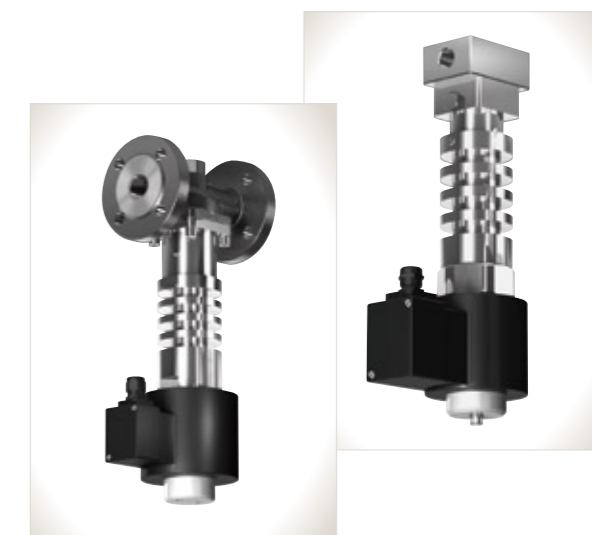
Type 52DT

- 2/2-Way direct acting solenoid valve
- Material: stainless steel 1.4571, brass 2.0402
- Pressure range: 0-40 bar
- Thread connection: G^{1/8}-G^{1/2}
- With spacer
- Installation with hanging solenoid



Type 2/164

- 2/2-Way force pilot operated piston solenoid valve
- Pressure range: 0-40 bar
- The valves can be delivered with flanged connection or with thread connection.
- Pressure stages PN40 GP240 GH or stainless steel 1.4581
- With spacer
- Installation with hanging solenoid



VALVES UP TO 250 °C

Type 24DT

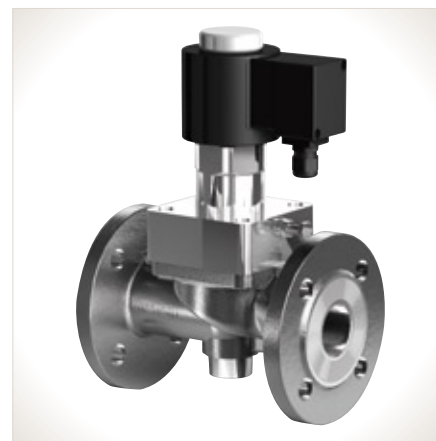
- 2/2-Way force pilot operated piston solenoid valve
- Material: stainless steel 1.4581 or GP240 GH, PN40 DIN2545, sealing face DIN2526 Type C
- Pressure range: 0-40 bar
- Flanged connection, PN40
- With spacer



■■ VALVES UP TO 200 °C

Type 24TH

- 2/2-Way force pilot operated solenoid valve
- Pressure range: 0-40 bar
- Flanged connection,
PN16 DIN2533, PN40 DIN2545
- Sealing face DIN2526 Type C



Type 49TH

- 2/2-Way force pilot operated solenoid valve
- Material: stainless steel 1.4581 or brass 2.0402
- Pressure range: 0-40 bar
- Thread connection: G¹/₄-G3



■■ UP TO 70 °C AMBIENT TEMPERATURE

Coil K0592710-KL

ATEX Ex II 2G EEx emb II T4
ATEX Ex II 2D IP65 T130°C

- with cooling element
- Supply voltage: 24 V-230 V
- Power: max. 47 W
- Duty factor: 100% ED
- Connection: Terminal box
- Cable gland: M20 x 1,5
- Cable clamp range: 7-12 mm



GSR Ventiltechnik GmbH & Co. KG

Im Meisenfeld 1 • D-32602 Vlotho, Germany
P.O. Box 2060 • D-32595 Vlotho, Germany