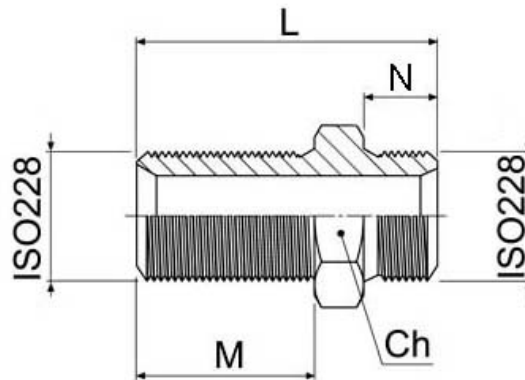


# 766052

NIPPLE ISO228 OGIVE / SHEETPASS  
Material: AISI 316L (1.4404)



ISO 228	M	N	Ch.	L	Kg	CODE AISI 316L
1/8"	17	8	17	31	0.0216	766052 60200
1/4"	20	11	19	38	0.0351	766052 60300
3/8"	23	13	22	44	0.0594	766052 60700
1/2"	26	15	27	50	0.097	766052 61100
3/4"	29	17	32	56	0.155	766052 61700
1"	32	19	41	63	0.282	766052 62300



**SCHIBUOLA LAURO**

Products for Plant Automation

[www.schibuola.com](http://www.schibuola.com) - [info@schibuola.com](mailto:info@schibuola.com)

tel. 011-6991507 - 011-6502223 cell. 3355367761

