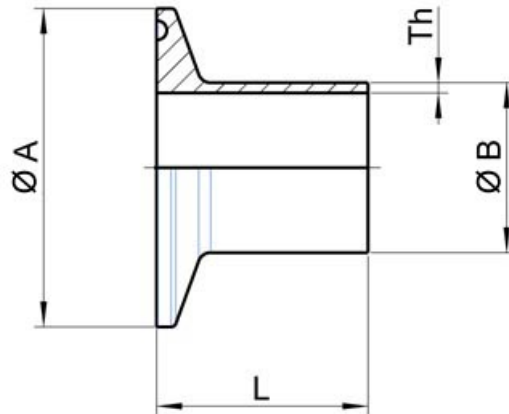




768058 FOR DIN PIPE

CLAMP Smooth shank to BUTT WELDING DIN 32676 TABLE 2 REIHE A
 According to normative DIN 11850 for TUBE
 Material: AISI 316L (1.4404)



| MISURA DIN | Ø A | B | L | Kg | CODE AISI 316L |
|------------|-------|----------|------|----|----------------|
| DN 6 | 25 | 8 x 1 | 12,7 | - | 768058 60100 |
| DN 8 | 25 | 10 x 1 | 12,7 | - | 768058 60500 |
| DN 10 | 34 | 13 x 1,5 | 18 | - | 768058 60900 |
| DN 15 | 34 | 19 x 1,5 | 18 | - | 768058 61300 |
| DN 20 | 34 | 23 x 1,5 | 18 | - | 768058 61700 |
| DN 25 | 50,5 | 29 x 1,5 | 21,5 | - | 768058 62100 |
| DN 32 | 50,5 | 35 x 1,5 | 21,5 | - | 768058 62500 |
| DN 40 | 50,5 | 41 x 1,5 | 21,5 | - | 768058 62900 |
| DN 50 | 64 | 53 x 1,5 | 21,5 | - | 768058 63300 |
| DN 65 | 91 | 70 x 2 | 28 | - | 768058 63700 |
| DN 80 | 106 | 85 x 2 | 28 | - | 768058 64100 |
| DN 100 | 119 | 104 x 2 | 28 | - | 768058 64500 |
| DN 125 | 155 | 129 x 2 | 28 | - | 768058 64900 |
| DN 150 | 183 | 154 x 2 | 28 | - | 768058 65300 |
| DN 200 | 233,5 | 204 x 2 | 28 | - | 768058 65700 |



SCHIBUOLA LAURO

Products for Plant Automation

www.schibuola.com - info@schibuola.com

tel. 011-6991507 - 011-6502223 cell. 3355367761

