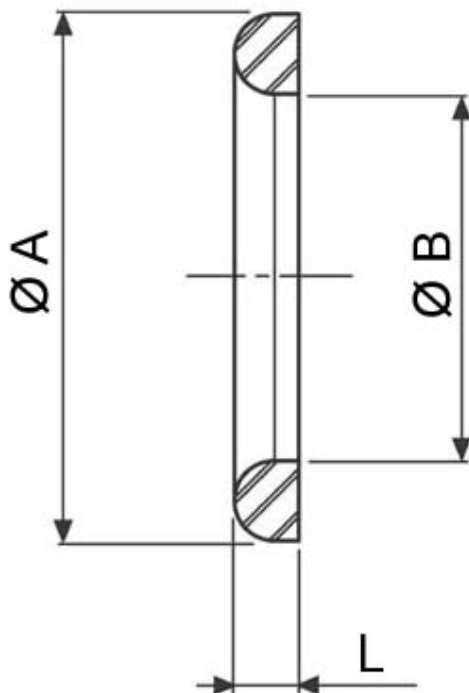


785100

DIN 11851 SEAL FOR THREE WORKPIECES
Material: NBR - EPDM - SILICONE - FKM (VITON)



DN	Ø A	Ø B	L	CODICE NBR	CODICE EPDM	CODICE SILICONE	CODICE FKM (VITON)
10	20	12	4	785100 N0800	785100 E0800	785100 S0800	785100 V0800
15	26	18	4	785100 N1400	785100 E1400	785100 S1400	785100 V1400
20	33	23	4	785100 N2000	785100 E2000	785100 S2000	785100 V2000
25	40	30	5	785100 N2600	785100 E2600	785100 S2600	785100 V2600
32	46	36	5	785100 N3000	785100 E3000	785100 S3000	785100 V3000
40	52	42	5	785100 N3400	785100 E3400	785100 S3400	785100 V3400
50	64	54	5	785100 N3800	785100 E3800	785100 S3800	785100 V3800
60	72	62	5	785100 N4000	785100 E4000	785100 S4000	785100 V4000
65	81	71	5	785100 N4400	785100 E4400	785100 S4400	785100 V4400
80	95	85	5	785100 N4800	785100 E4800	785100 S4800	785100 V4800
90	104	94	5	785100 N5000	785100 E5000	785100 S5000	785100 V5000
100	114	104	5	785100 N5400	785100 E5400	785100 S5400	785100 V5400
125	142	130	7	785100 N5800	785100 E5800	785100 S5800	785100 V5800
150	167	155	7	785100 N6200	785100 E6200	785100 S6200	785100 V6200



SCHIBUOLA LAURO

Products for Plant Automation

www.schibuola.com - info@schibuola.com

tel. 011-6991507 - 011-6502223 cell. 3355367761



