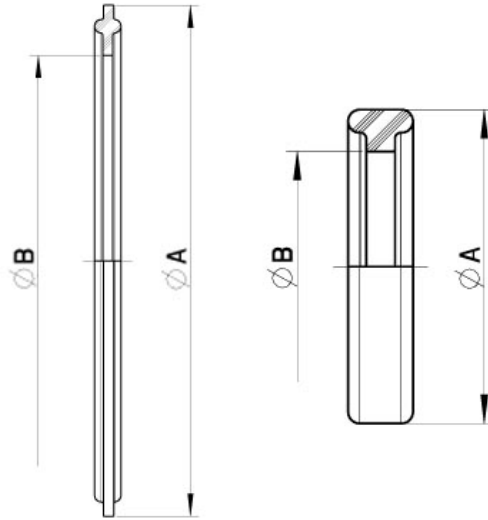
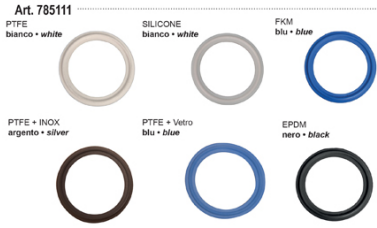


785111 FOR BS PIPE

CLAMP SEAL DIN 32676 TABLE 4 REIHE C

According to normative BS/OD ASTM A270

Material: PTFE - EPDM - SILICONE - FKM



INCH	Ø A	Ø B	Cod. PTFE Color WHITE	Cod. EPDM Color BLACK	Cod. SILICONE Color WHITE	Cod. FKM Color BLUE	Cod. PTFE+VETRO Color BLUE	Cod. PTFE+INOX Color SILVER
1/2"	22	≥ 9,6	785111 A1200	785111 E1200	785111 S1200	785111 V1200	785111 B1200	785111 C1200
3/4"	22	≥ 16,0	785111 A1800	785111 E1800	785111 S1800	785111 V1800	785111 B1800	785111 C1800
1"	50,5	≥ 22,3	785111 A2600	785111 E2600	785111 S2600	785111 V2600	785111 B2600	785111 C2600
1"1/2	50,5	≥ 35,0	785111 A3400	785111 E3400	785111 S3400	785111 V3400	785111 B3400	785111 C3400
2"	64	≥ 47,7	785111 A3800	785111 E3800	785111 S3800	785111 V3800	785111 B3800	785111 C3800
2"1/2	77,5	≥ 60,4	785111 A4400	785111 E4400	785111 S4400	785111 V4400	785111 B4400	785111 C4400
3"	91	≥ 73,1	785111 A4800	785111 E4800	785111 S4800	785111 V4800	785111 B4800	785111 C4800
4"	119	≥ 97,6	785111 A5400	785111 E5400	785111 S5400	785111 V5400	785111 B5400	785111 C5400
6"	167	≥ 147,1	785111 A5900	-	-	-	-	-



SCHIBUOLA LAURO

Products for Plant Automation

www.schibuola.com - info@schibuola.com

tel. 011-6991507 - 011-6502223 cell. 3355367761

