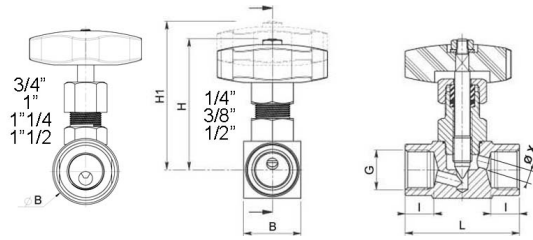


658004

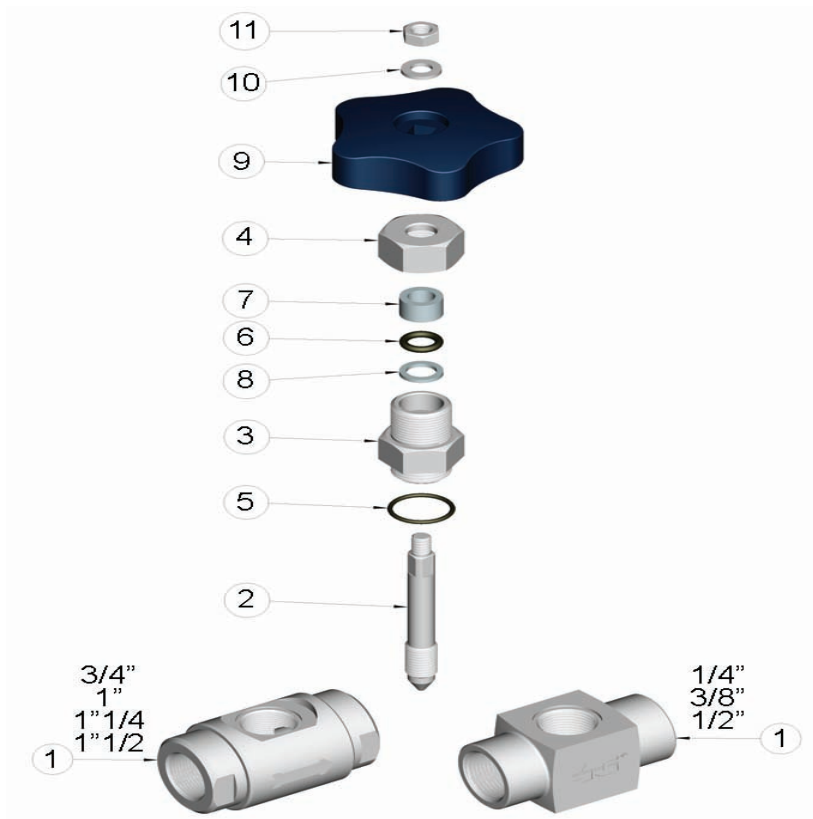


PIN valve
 Drive: Handwheel
 Connection: NPT female/female thread
 Material: Aisi 316L
 Measure: from 1/4" to 1"
 Operating temperature: -20°C +160°C
 Outer finish: Grinding

On request:
 Antistatic device ATEX II 2 G-D T4
 • CLAMP ISO 2852 connection



G	L	I	B	H	H 1	Ø X	PN	Kg	CODE AISI 316L
1/4"	53	10	25	70	78	4	160	0,26	658004 60300
3/8"	53	11	25	70	78	5	160	0,29	658004 60700
1/2"	60	14	30	72	80	6	160	0,40	658004 61100
3/4"	80	17	Ø48	102	117	10	100	1,12	658004 62000
1"	80	19	Ø48	102	117	10	100	1,03	658004 62600



POS.	DENOMINATION	PCS	MAT.
1	Body	1	AISI 316L
2	Spillo		

3	Vitone	1	AISI 316L
4	Dado premistoppa	1	AISI 316L
5	OR	1	FKM
6	OR	1	FKM
7	Guarnizione	1	PTFE Caricato Vetro/With glass
8	Guarnizione	1	PTFE
9	Volantino	1	Duroplast
10	Washer	1	AISI 304L
11	Nut	1	AISI 304L



 **SCHIBUOLA LAURO**

Products for Plant Automation

www.schibuola.com - info@schibuola.com

tel. 011-6991507 - 011-6502223 cell. 3355367761

