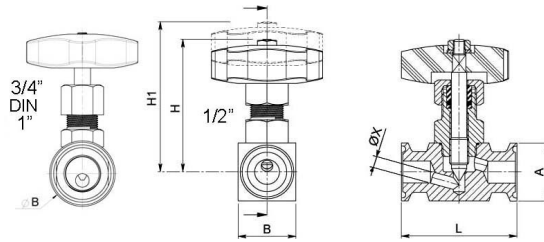


# 658030

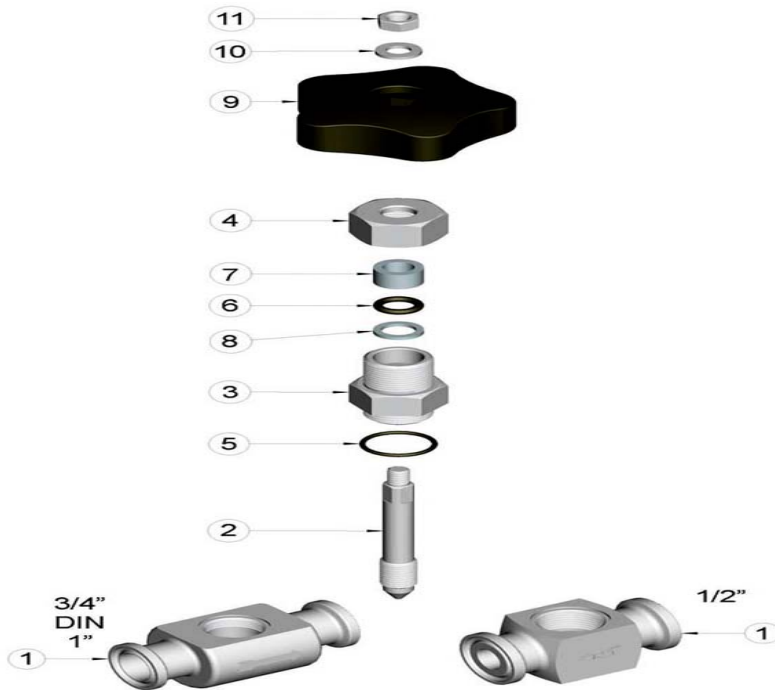


PIN valve  
 Drive: Handwheel  
 Connection: CLAMP normative DIN 32676 TAB.4 REIHE C e TAB.2 REIHE A  
 Material: Aisi 316L  
 Measure: 1/2" and 1"  
 Operating temperature: -20°C +160°C  
 Outer finish: Polished

On request:  
 Antistatic device ATEX II 2 G-D T4  
 Connection ISO 228 female thread



CLAMP	Ø A	L	B	H	H 1	Ø X	PN	Kg	CODE AISI 316L
1/2"	25	52	25	70	78	5	160	0,300	658030 61100
3/4"	25	70	Ø 35	67	80	6	100	0,430	658030 61500
DIN	34	70	Ø 35	67	80	6	100	0,478	658030 61910
1"	50.5	90	Ø 52	104	119	10	100	1.230	658030 62300



POS.	DENOMINATION	PCS	MAT.
1	Body	1	AISI 316L
2	Spillo	1	AISI 316L
3	Vitone		
4	Dado premistoppa	1	AISI 316L
5	OR	1	FKM
6	OR	1	FKM
7	Guarnizione	1	PTFE Caricato Vetro/With glass
8	Guarnizione	1	PTFE
9	Volantino	1	Duroplast
10	Washer	1	AISI 304L
11	Nut	1	AISI 304L



 **SCHIBUOLA LAURO**

Products for Plant Automation

[www.schibuola.com](http://www.schibuola.com) - [info@schibuola.com](mailto:info@schibuola.com)

tel. 011-6991507 - 011-6502223 cell. 3355367761

