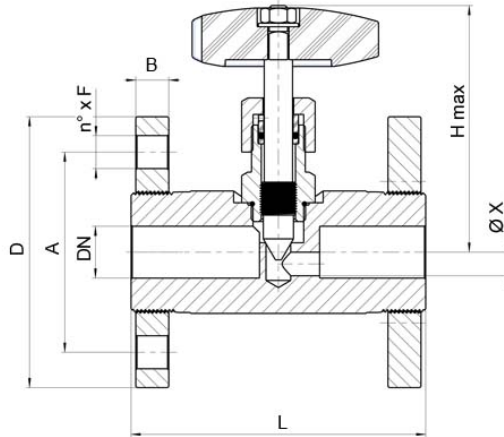


658050

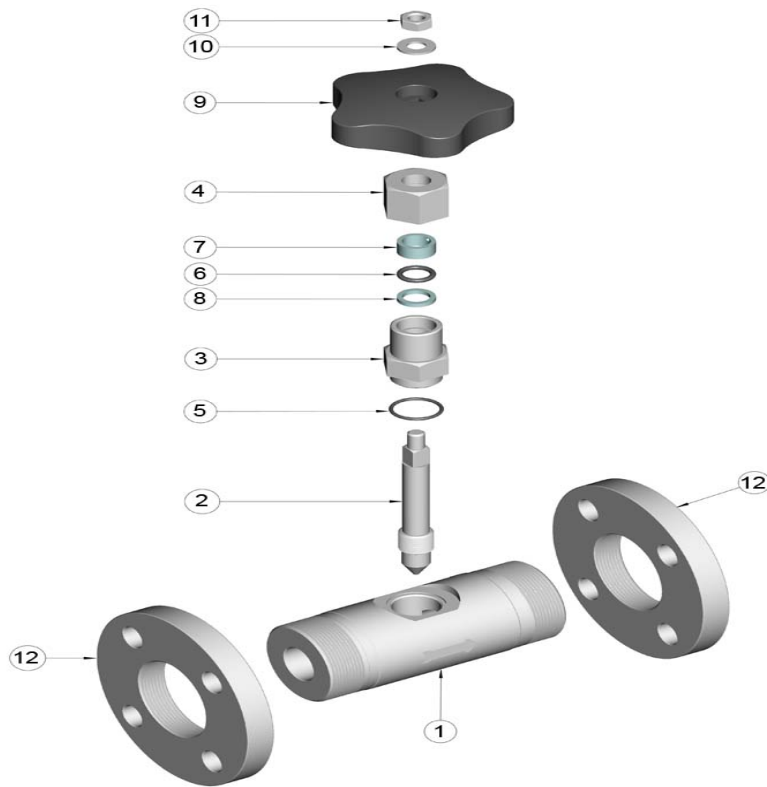


PIN valve
 Drive: Handwheel
 Connection: Revolving threaded flanges UNI EN 1092-1:2003
 Material: Aisi 316L
 Measure: from DN 10 to DN 25
 Operating temperature: -20°C +160°C
 Outer finish: Polished

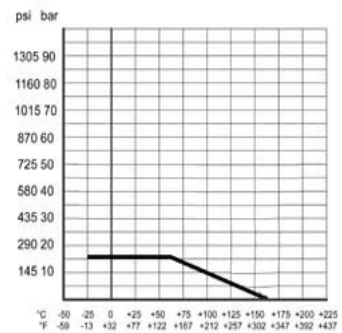
On request:
 Antistatic device ATEX II 2 G-D T4



DN	L	H	X	D	B	A	F	PN	KG	CODE AISI 316L
10	110		5	90	12	60	4 x 14	40	-	658050 60800
15	115	80	6	95	12	65	4 x 14	40	1,90	658050 61400
20	120	117	10	105	14	75	4 x 14	40	3,30	658050 62000
25	125	117	10	115	14	85	4 x 14	40	3,740	658050 62600



POS.	DENOMINATION	PCS	MAT.
1	Body	1	AISI 316L
2	Spillo	1	AISI 316L
3	Vitone	1	AISI 316L
4	Dado premistoppa	1	AISI 316L
5	OR	1	FKM
6	OR	1	FKM
7	Guarnizione	1	PTFE Caricato Vetro/With glass
8	Guarnizione	1	PTFE
9	Volantino	1	Duroplast
10	Washer	1	AISI 304L
11	Nut	1	AISI 304L
12	Flange	2	AISI 316L



 **SCHIBUOLA LAURO**

Products for Plant Automation

www.schibuola.com - info@schibuola.com

tel. 011-6991507 - 011-6502223 cell. 3355367761

