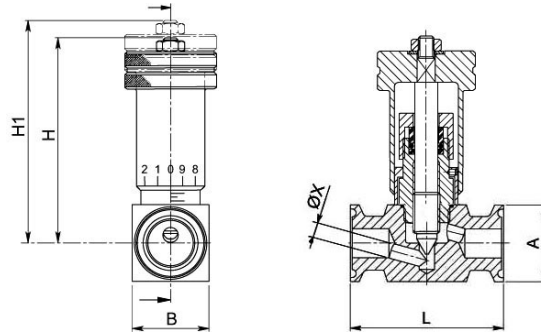


# 658230

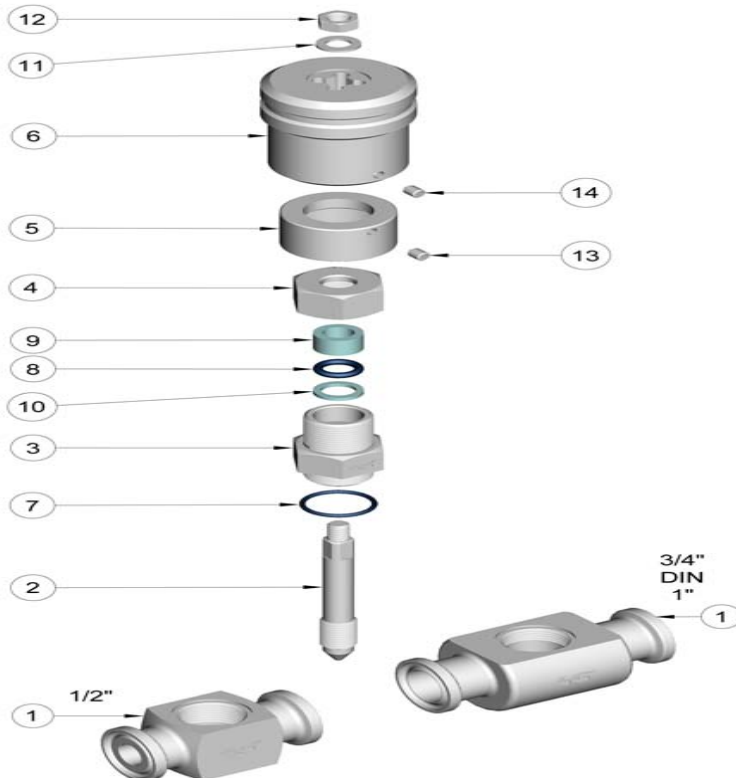


PIN valve  
 Drive: GRADUATE Handwheel  
 Connection: CLAMP normative DIN 32676 TAB.4 REIHE C e TAB.2 REIHE A  
 Material: Aisi 316L  
 Measure: from 1/4" to 1"  
 Operating temperature: -20°C +160°C  
 Outer finish: Polished

On request:  
 Antistatic device ATEX II 2 G-D T4  
 Connection ISO 228 female thread



CLAMP	Ø A	L	B	H	H 1	Ø X	PN	Kg	CODE AISI 316L
1/2"	24.8	52	25	70	78	5	160	0,48	658230 61100
3/4"	24.8	70	Ø 35	67	80	6	100	-	658230 61500
DIN	34	70	Ø 35	67	80	6	100	0,48	658230 61900
1"	50.5	90	Ø 52	104	119	10	100	-	658230 62300



POS.	DENOMINATION	PCS	MAT.
------	--------------	-----	------

---

1	Body	1	AISI 316L
2	Spillo	1	AISI 316L
3	Vitone	1	AISI 316L
4	Dado premistoppa	1	AISI 316L
5	Anello graduato	1	AISI 316L
6	Volantino graduato	1	AISI 304L
7	OR	1	FKM
8	OR	1	FKM
9	Guarnizione	1	PTFE Caricato Vetro/With glass
10	Guarnizione	1	PTFE
11	Washer	1	AISI 304L
12	Nut	1	AISI 304L
13	SCREW	1	AISI 304L
14	SCREW	1	AISI 304L

**SCHIBUOLA LAURO**

Products for Plant Automation

[www.schibuola.com](http://www.schibuola.com) - [info@schibuola.com](mailto:info@schibuola.com)

tel. 011-6991507 - 011-6502223 cell. 3355367761

