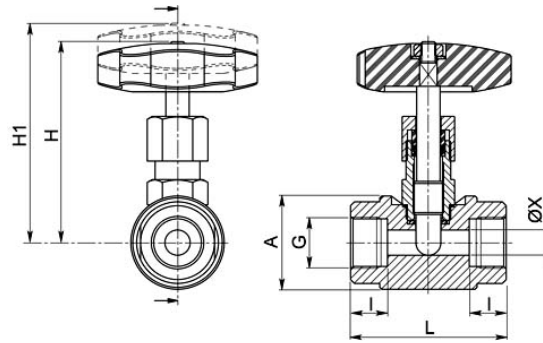




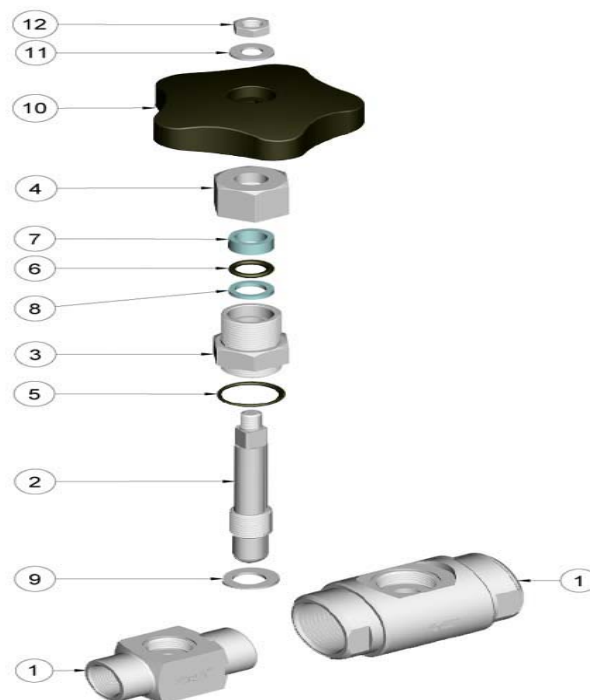
## 678001

Rate valve  
 Drive: Handwheel  
 Connection: ISO 228 female/female thread  
 Material: Aisi 316L (1.4404)  
 Measure: from 1/2" to 1"1/2  
 Operating temperature: -20°C +160°C  
 Outer finish: Polished

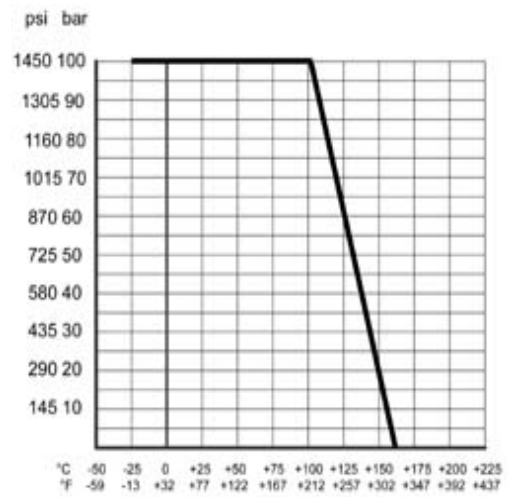
On request:  
 Antistatic device ATEX II 2 G-D T4



G	L	I	A	H	H 1	Ø X	PN	Kg	CODE AISI 316L
1/2"	60	14	□30	68	74	8,5	100	0,40	678001 61400
3/4"	80	19	Ø 48	105	116	13	100	1,16	678001 62000
1"	80	19	Ø 48	105	116	13	100	1,07	678001 62600
1" 1/4	90	19	Ø 60	109	123	18,2		1,75	678001 63000
1" 1/2	90	19	Ø 60	109	123	18,2		1,63	678001 63400



POS.	DENOMINATION	PCS	MAT.
1	Body	1	AISI 316L
2	Spillo	1	AISI 316L
3	Vitone	1	AISI 316L
4	Dado premistoppa	1	AISI 316L
5	OR	1	FKM
6	OR	1	FKM
7	Guarnizione	1	PTFE Caricato Vetro/With glass
8	Guarnizione	1	PTFE
9	Guarnizione	1	Duroplast
10	Volantino	1	AISI 304L
11	Washer	1	AISI 304L
12	Nut	1	AISI 304L



 **SCHIBUOLA LAURO**

Products for Plant Automation

[www.schibuola.com](http://www.schibuola.com) - [info@schibuola.com](mailto:info@schibuola.com)

tel. 011-6991507 - 011-6502223 cell. 3355367761

