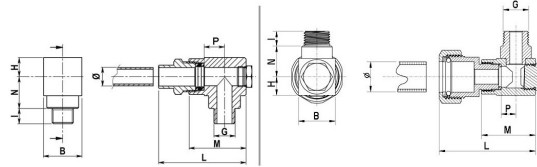




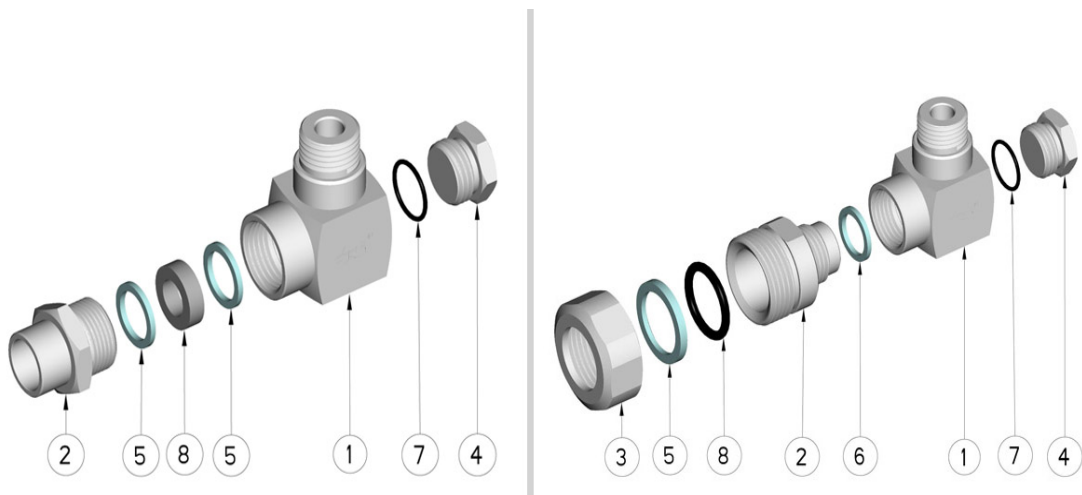
680005

Upper Elbow GAUGE-COCK
 Connection: ISO 228 male thread
 Material: Aisi 316L
 Measure: from 3/8" to 1"
 Operating temperature: -20°C +160°C
 Outer finish: Polished

On request:
 • Connection for glass pipe in another measure

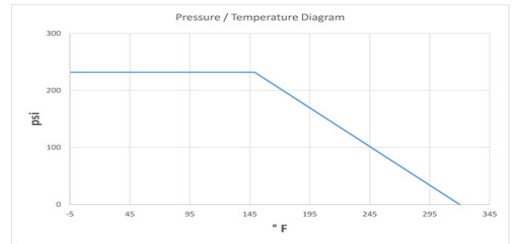
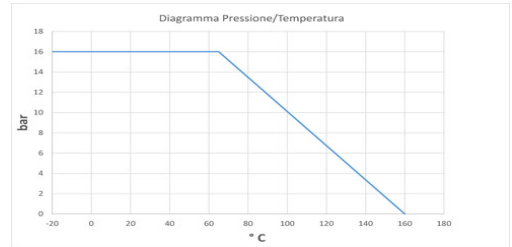


G	Ø	L	B	M	P	N	I	H	PN	Kg.	CODE AISI 316L
3/8"	12	65	30	44	12	25	12	-	16	0,30	680005 60600
3/8"	14	65	30	44	12	25	12	-	16	0,30	680005 60700
3/8"	16	65	30	44	12	25	12	-	16	0,30	680005 60800
1/2"	12	65	30	44	12	25	12	-	16	0,31	680005 61000
1/2"	14	65	30	44	12	25	12	-	16	0,31	680005 61100
1/2"	16	65	30	44	12	25	12	-	16	0,31	680005 61200
1/2"	24	78	30	44	12	25	12	15	16	-	680005 61600
1"	20	60	40	50	18	25	14	-	16	0,63	680005 62300



POS.	DENOMINATION	PCS	MAT.
------	--------------	-----	------

1	Body	1	AISI 316L
2	Stringivetro	1	AISI 316L
3	Ghiera	1	AISI 316L
4	Plug	1	AISI 316L
5	Premi OR	1	PTFE
6	Guarnizione tubo vetro	1	PTFE
7	OR tappo	1	FKM
8	OR Stringivetro	1	FKM



SCHIBUOLA LAURO

Products for Plant Automation

www.schibuola.com - info@schibuola.com

tel. 011-6991507 - 011-6502223 cell. 3355367761

