



## DISC CHECK VALVES

## SERIES DCel

### RED LINE

marine and offshore  
industry /  
petrochemical  
industry /  
general plants



CE In compliance with PED 97/23/EC

## TECHNICAL DETAILS

Wafer design

Self-centering

Low pressure drops

Easy to install and maintenance

Can be installed on vertical pipelines with downhill flow

Materials: acciaio inox AISI 316

Metal/Metal seat, soft seat upon request

Series DN 15 ÷ DN 100

Suitable to be insert for flanges PN 6, 10, 16, 25, 40, ANSI 150, ANSI 300

Working pressure MAX 20 Bar

For higher pressure please contact our offices

PTFE disc, special materials, calibrated spring upon request

## APPLICATIONS



MARINE AND  
OFFSHORE  
INDUSTRY



PETROCHEMICAL  
INDUSTRY



HEATING



VENTILATION

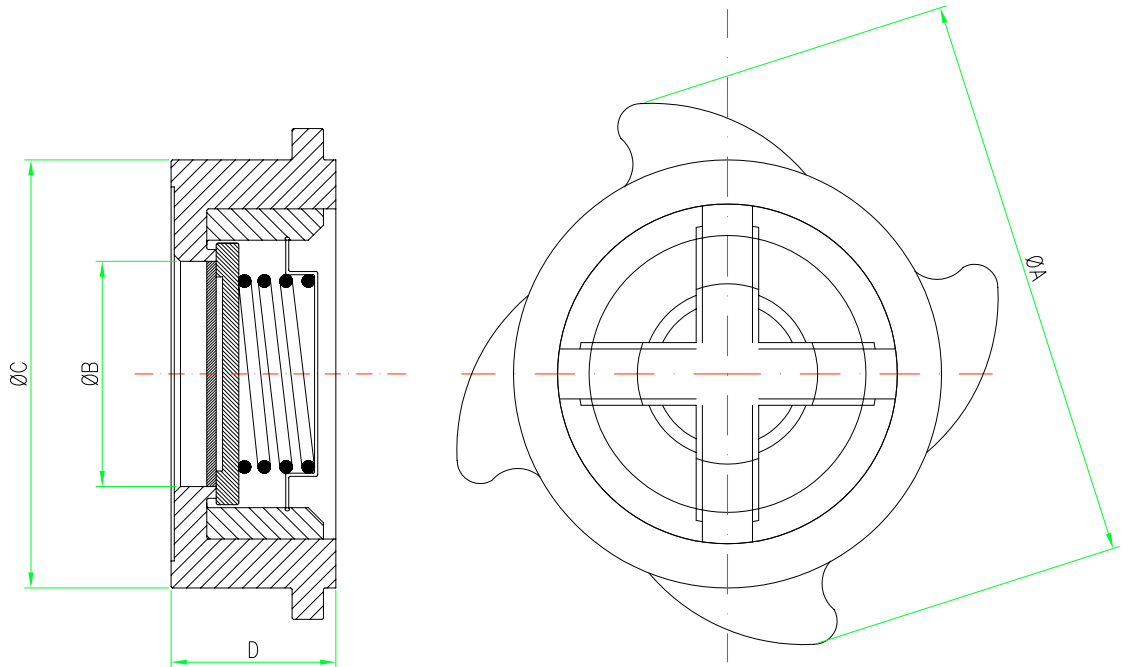


FIRE  
PROTECTION  
SYSTEM



WATER  
INDUSTRY

TECHNICAL DRAWINGS



DIMENSIONS

DN		A	B	C	D
mm	inch				
15	1/2"	60	15	38	16
20	3/4"	69,5	20	47	20
25	1"	80,5	25	55	22
32	1" 1/4	91	32	67	28
40	1" 1/2	101	40	76	32
50	2"	115	50	93	40
65	2" 1/2	142	65	109	46
80	3"	154	80	128	50
100	4"	184	100	148	60