



EMPOWERED PERFORMANCE

ITEM 101 + RACKON®





ITEM 101

VALVOLA A SFERA IN OTTONE 2 VIE FILETTATA PASSAGGIO INTEGRALE.
2-WAY FULL-BORE THREADED-ENDS BRASS BALL VALVE.

**CARATTERISTICHE GENERALI:**

- La valvola é costruita per impieghi a medie pressioni con fluidi non aggressivi.
- Temperatura di utilizzo: da -20°C a +150°C per fluidi.
- Pressione di utilizzo: vedi diagramma.
- Fluido intercettato: aria, acqua, gas, oli, prodotti petroliferi e petrolchimici, vuoto.
- Estremità filettate femmina a norma ISO 7/1 e NPT.
- Testa della valvola a norma ISO 5211.

ESECUZIONI SPECIALI A RICHIESTA:

- Per altre applicazioni contattare il nostro ufficio commerciale.

CERTIFICAZIONI:

- Conforme alla direttiva Europea 2014/68/EU "PED".
- Versione ATEX in conformità alla direttiva 2014/34/EU a richiesta.

GENERAL FEATURES:

- The valve is suitable for medium pressures on condition that non aggressive fluids are used.
- Working temperature: from -20°C to +150°C for fluids.
- Working pressure: see diagram.
- Fluid range: air, water, oil, gas, petroliferous and petrochemical products, vacuum.
- Threaded ends as per ISO 7/1 and NPT specifications.
- Head of the valve as per ISO 5211 specifications.

ON REQUEST:

- For other applications, please contact our sales department.

CERTIFICATIONS:

- According to 2014/68/EU "PED".
- ATEX version in conformity with directive 2014/34/EU on request.



ITEM 101

DIAGRAMMA PRESSIONE/TEMPERATURA PRESSURE/TEMPERATURE DIAGRAM

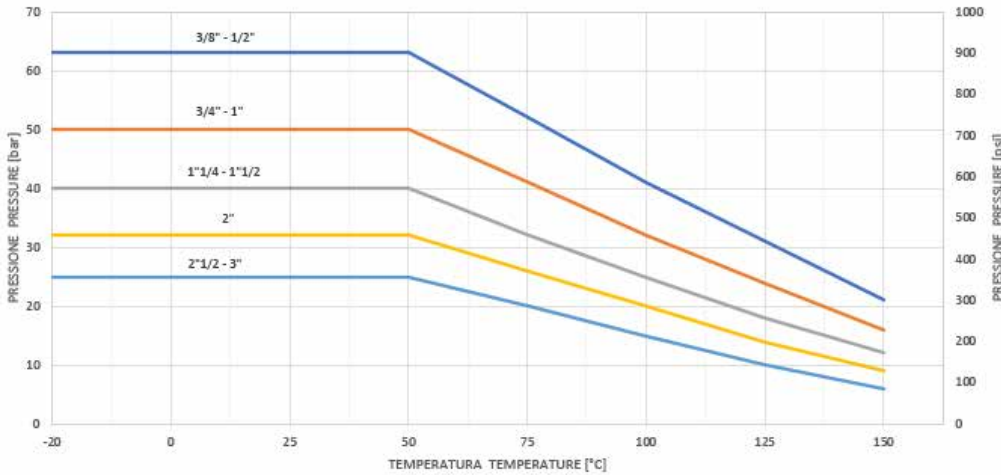
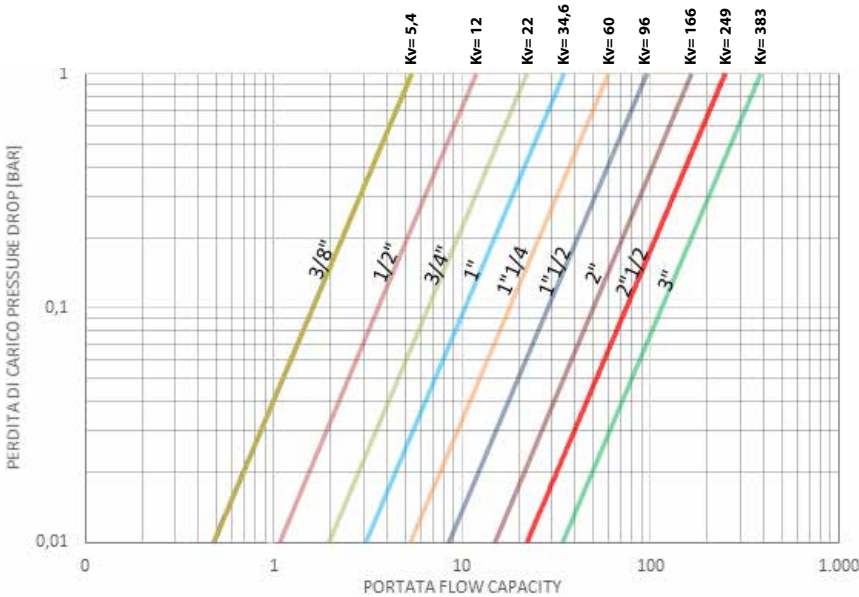


DIAGRAMMA PORTATA/PERDITA DI CARICO E COEFFICIENTE NOMINALE Kv FLOW/PRESSURE LOSS DIAGRAM AND Kv NOMINAL COEFFICIENT



Il valore Kv è il valore di portata in m³/h (con acqua a 15°C) che provoca la caduta di pressione di 1 bar.

Kv is the coefficient, expressed in m³/h (with water at 15°C) causing a pressure loss of 1 bar.

Cv factor is the flow of water at 60°F in USgallons / minutes (gpm) at appressure drop of 1 lb/in².

| | COPPIE DI SPUNTO in Nm | | | | | BREAKAWAY TORQUES Nm | | | |
|-------------|------------------------|---------------|---------------|-------------|----------------|----------------------|-------------|----------------|-------------|
| MISURA SIZE | DN 10 3/8" | DN 15 1/2" | DN 20 3/4" | DN 25 1" | DN 32 1"1/4 | DN 40 1"1/2 | DN 50 2" | DN 65 2"1/2 | DN 80 3" |
| PN 25 bar | | | | | | | | 48 | 70 |
| PN 32 bar | | | | | | | 23 | | |
| PN 40 bar | | | | | 11 | 16 | | | |
| PN 50 bar | | | 5 | 8 | | | | | |
| PN 64 bar | 4 | 4 | | | | | | | |

I valori della coppia possono variare in funzione della temperatura e del tipo di fluido.

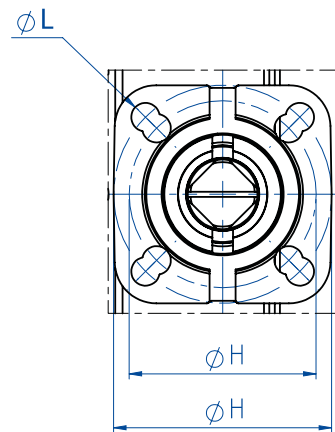
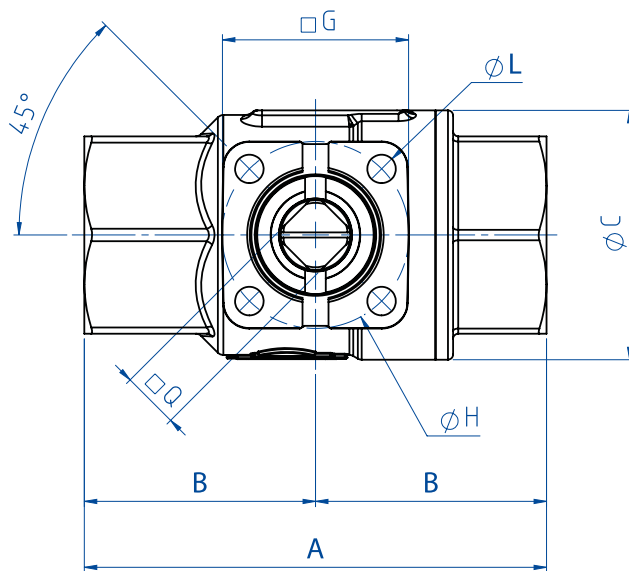
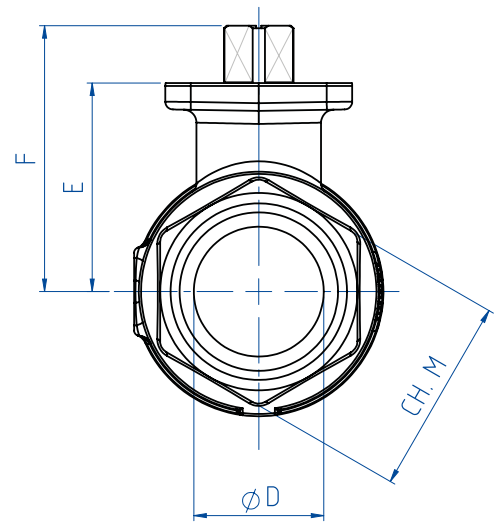
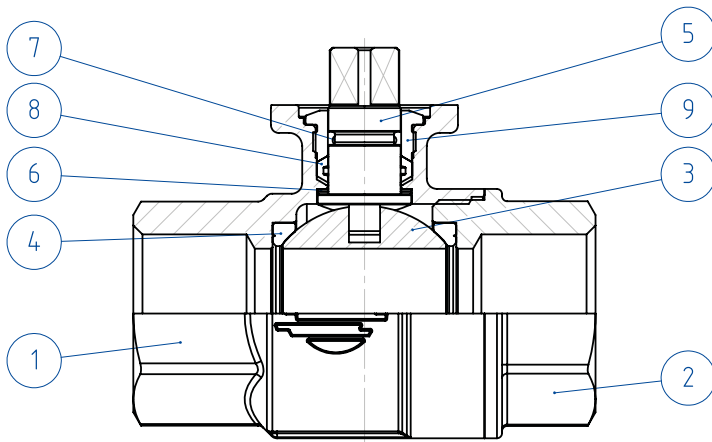
Con frequenti cicli di apertura e chiusura la coppia di manovra può diminuire sensibilmente rispetto a quella iniziale. Gli accoppiamenti attuatore/valvola, riportati nelle pagine seguenti, sono realizzati per valvole che intercettano fluidi liquidi o gassosi, puliti e per medie temperature. Per maggiori informazioni, o utilizzi diversi, consultare il nostro ufficio commerciale.

Torque can vary depending on temperature and type of fluid; Torque can drop on high frequency of operations. The actuator/valve sizing, indicated on the following pages, are based for valves to be used with liquids or gaseous fluids, clean, and for medium temperatures. For further information, or different uses please contact our sales department.

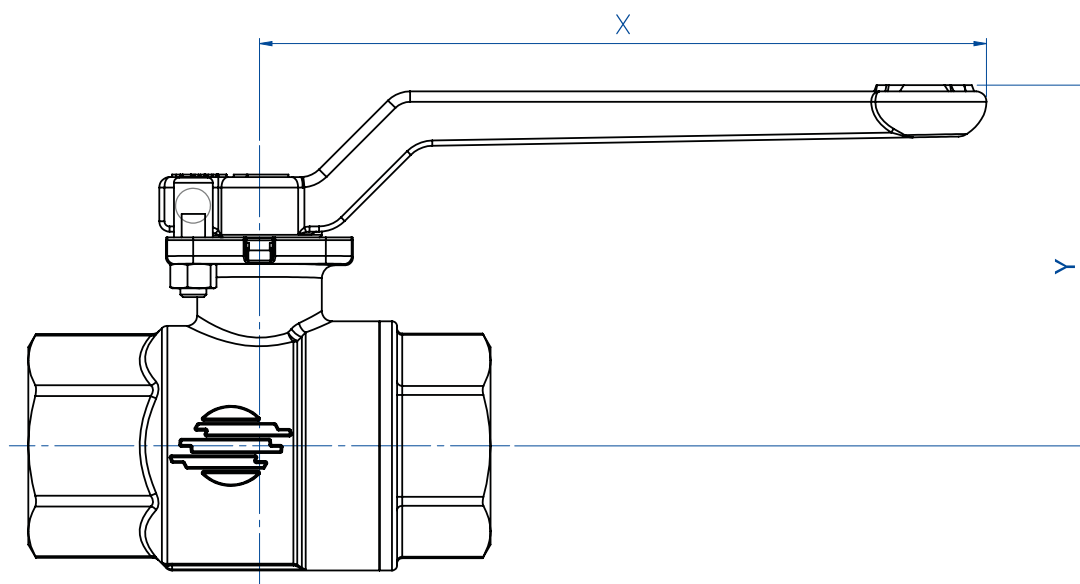
BRASS BALL VALVES



ITEM 101



dal 1" 1/4 al 3" doppia foratura
from 1" 1/4 to 3" double drilling





ITEM 101

| MISURA SIZE | | A | | | | B | | | | øC | | øD | | □Q | | E | | F | | G | | øH | | øL | | ch.M | | X | | Y | |
|----------------|-----------|------|------|------|------|-------|------|------|------|------|------|------|------|-------|------|------|------|-------------|--------------|----------------|------|------|-------|------|-------|------|------|------|------|------|------|
| DN [mm] | [in] | [mm] | [in] | [mm] | [in] | [mm] | [in] | [mm] | [in] | [mm] | [in] | [mm] | [in] | [mm] | [in] | [mm] | [in] | [mm] | [in] | [mm] | [in] | [mm] | [in] | [mm] | [in] | [mm] | [in] | [mm] | [in] | [mm] | [in] |
| DN 10 | 3/8" | 69 | 2,72 | 34,5 | 1,36 | 31,8 | 1,25 | 10 | 0,39 | 9 | 0,35 | 30,5 | 1,20 | 38,5 | 1,52 | 36 | 1,42 | F03 | 5,5 | 0,22 | 25 | 0,98 | 140,0 | 5,51 | 58,5 | 2,30 | | | | | |
| DN 15 | 1/2" | 69 | 2,72 | 34,5 | 1,36 | 31,8 | 1,25 | 15 | 0,59 | 9 | 0,35 | 30,5 | 1,20 | 38,5 | 1,52 | 36 | 1,42 | F03 | 5,5 | 0,22 | 25 | 0,98 | 140,0 | 5,51 | 58,5 | 2,30 | | | | | |
| DN 20 | 3/4" | 77 | 3,03 | 38,5 | 1,52 | 40 | 1,57 | 20 | 0,79 | 9 | 0,35 | 36,3 | 1,43 | 47,1 | 1,85 | 36 | 1,42 | F03 | 5,5 | 0,22 | 31 | 1,22 | 140,0 | 5,51 | 65,0 | 2,56 | | | | | |
| DN 25 | 1" | 89 | 3,50 | 44,5 | 1,75 | 48 | 1,89 | 25 | 0,98 | 9 | 0,35 | 40,2 | 1,58 | 50,9 | 2,00 | 36 | 1,42 | F03 | 5,5 | 0,22 | 38 | 1,50 | 140,0 | 5,51 | 68,0 | 2,68 | | | | | |
| DN 32 | 1" 1/4 | 103 | 4,06 | 51,5 | 2,03 | 60 | 2,36 | 32 | 1,26 | 11 | 0,43 | 51,5 | 2,03 | 62,5 | 2,46 | 42 | 1,65 | F03/ F04 | 5,5 | 0,22 | 47 | 1,85 | 140,0 | 5,51 | 80,0 | 3,15 | | | | | |
| DN 40 | 1" 1/2 | 114 | 4,49 | 57 | 2,24 | 70,6 | 2,78 | 40 | 1,57 | 11 | 0,43 | 58 | 2,28 | 69 | 2,72 | 42 | 1,65 | F03/ F04 | 5,5 | 0,22 | 54 | 2,13 | 140,0 | 5,51 | 86,0 | 3,39 | | | | | |
| DN 50 | 2" | 134 | 5,28 | 67 | 2,64 | 88,5 | 3,48 | 50 | 1,97 | 11 | 0,43 | 65,3 | 2,57 | 76,3 | 3,00 | 46 | 1,81 | F04/ F05 | 5,5 / 6,5 | 0,22 / 0,26 | 66 | 2,60 | 140,0 | 5,51 | 93,5 | 3,68 | | | | | |
| DN 65 | 2" 1/2 | 161 | 6,34 | 80,5 | 3,17 | 112 | 4,41 | 65 | 2,56 | 14 | 0,55 | 83 | 3,27 | 97 | 3,82 | 65 | 2,56 | F05/ F07 | 6,5 / 8,5 | 0,26 / 0,33 | 84 | 3,31 | 212,0 | 8,35 | 118,0 | 4,65 | | | | | |
| DN 80 | 3" | 185 | 7,28 | 92,5 | 3,64 | 138,4 | 5,45 | 80 | 3,15 | 14 | 0,55 | 94,5 | 3,72 | 108,5 | 4,27 | 65 | 2,56 | F05/ F07 | 6,5 / 8,5 | 0,26 / 0,33 | 98 | 3,86 | 212,0 | 8,35 | 127,5 | 5,02 | | | | | |

| MISURA SIZE | | A | | | | B | | | | øC | | øD | | □Q | | E | | F | | G | | øH | | øL | | ch.M | | X | | Y | |
|----------------|-----------|------|------|-------|------|-------|------|------|------|------|------|------|------|-------|------|------|------|-------------|--------------|----------------|------|------|-------|------|-------|------|------|------|------|------|------|
| DN [mm] | [in] | [mm] | [in] | [mm] | [in] | [mm] | [in] | [mm] | [in] | [mm] | [in] | [mm] | [in] | [mm] | [in] | [mm] | [in] | [mm] | [in] | [mm] | [in] | [mm] | [in] | [mm] | [in] | [mm] | [in] | [mm] | [in] | [mm] | [in] |
| DN 10 | 3/8" | 62 | 2,44 | 31 | 1,22 | 31,8 | 1,25 | 10 | 0,39 | 9 | 0,35 | 30,5 | 1,20 | 38,5 | 1,52 | 36 | 1,42 | F03 | 5,5 | 0,22 | 25 | 0,98 | 140,0 | 5,51 | 58,5 | 2,30 | | | | | |
| DN 15 | 1/2" | 62 | 2,44 | 31 | 1,22 | 31,8 | 1,25 | 15 | 0,59 | 9 | 0,35 | 30,5 | 1,20 | 38,5 | 1,52 | 36 | 1,42 | F03 | 5,5 | 0,22 | 25 | 0,98 | 140,0 | 5,51 | 58,5 | 2,30 | | | | | |
| DN 20 | 3/4" | 68 | 2,68 | 34 | 1,34 | 40 | 1,57 | 20 | 0,79 | 9 | 0,35 | 36,3 | 1,43 | 47,1 | 1,85 | 36 | 1,42 | F03 | 5,5 | 0,22 | 31 | 1,22 | 140,0 | 5,51 | 65,0 | 2,56 | | | | | |
| DN 25 | 1" | 79,5 | 3,13 | 39,75 | 1,56 | 48 | 1,89 | 25 | 0,98 | 9 | 0,35 | 40,2 | 1,58 | 50,9 | 2,00 | 36 | 1,42 | F03 | 5,5 | 0,22 | 38 | 1,50 | 140,0 | 5,51 | 68,0 | 2,68 | | | | | |
| DN 32 | 1" 1/4 | 92 | 3,62 | 46 | 1,81 | 60 | 2,36 | 32 | 1,26 | 11 | 0,43 | 51,5 | 2,03 | 62,5 | 2,46 | 42 | 1,65 | F03/ F04 | 5,5 | 0,22 | 47 | 1,85 | 140,0 | 5,51 | 80,0 | 3,15 | | | | | |
| DN 40 | 1" 1/2 | 102 | 4,02 | 51 | 2,01 | 70,6 | 2,78 | 40 | 1,57 | 11 | 0,43 | 58 | 2,28 | 69 | 2,72 | 42 | 1,65 | F03/ F04 | 5,5 | 0,22 | 54 | 2,13 | 140,0 | 5,51 | 86,0 | 3,39 | | | | | |
| DN 50 | 2" | 116 | 4,57 | 58 | 2,28 | 88,5 | 3,48 | 50 | 1,97 | 11 | 0,43 | 65,3 | 2,57 | 76,3 | 3,00 | 46 | 1,81 | F04/ F05 | 5,5 / 6,5 | 0,22 / 0,26 | 66 | 2,60 | 140,0 | 5,51 | 93,5 | 3,68 | | | | | |
| DN 65 | 2" 1/2 | 146 | 5,75 | 73 | 2,87 | 112 | 4,41 | 65 | 2,56 | 14 | 0,55 | 83 | 3,27 | 97 | 3,82 | 65 | 2,56 | F05/ F07 | 6,5 / 8,5 | 0,26 / 0,33 | 84 | 3,31 | 212,0 | 8,35 | 118,0 | 4,65 | | | | | |
| DN 80 | 3" | 168 | 6,61 | 84 | 3,31 | 138,4 | 5,45 | 80 | 3,15 | 14 | 0,55 | 94,5 | 3,72 | 108,5 | 4,27 | 65 | 2,56 | F05/ F07 | 6,5 / 8,5 | 0,26 / 0,33 | 98 | 3,86 | 212,0 | 8,35 | 127,5 | 5,02 | | | | | |

| MATERIALI | | MATERIALS | |
|-----------|---|---|-----------------|
| 1 | Corpo <i>Body</i> | Ottone Nichelatura Brillante <i>Brilliant Nickel Plated Brass</i> | EN 12165 CW617N |
| 2 | Manicotto <i>Threaded ends</i> | Ottone Nichelatura Brillante <i>Brilliant Nickel Plated Brass</i> | EN 12165 CW617N |
| 3 | Sfera <i>Ball</i> | Ottone Cromatura dura <i>Hard chrome plated Brass</i> | EN 12164 CW614N |
| 4 | Guarnizioni di tenuta laterale <i>Seals</i> | P.T.F.E. | |
| 5 | Stelo <i>Shaft</i> | Ottone <i>Brass</i> | EN 12164 CW614N |
| 6 | Anelli antifrizione <i>Antifriction rings</i> | P.T.F.E. | |
| 7 | O-ring | FKM | |
| 8 | Guarnizione tenuta stelo <i>Shaft seal</i> | P.T.F.E. | |
| 9 | Premiguarnizione <i>Gland nut</i> | Ottone Nichelatura Brillante <i>Brilliant Nickel Plated Brass</i> | EN 12164 CW614N |



ITEM 101

CODICI ASSE LIBERO E CON LEVA *FREE SHAFT AND WITH LEVER CODES*

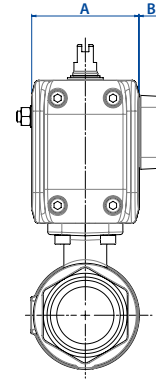
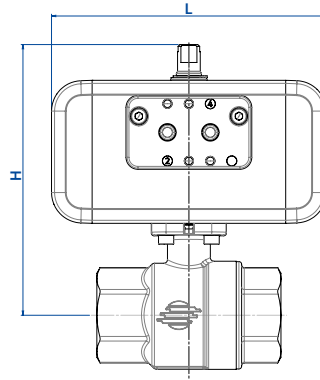
| MISURA SIZE | | ASSE LIBERO <i>FREE SHAFT</i> | | | | | |
|-------------|--------|-------------------------------|--------------|-----------|-------------|--------------------|-------|
| DN [mm] | [in] | ISO 7/1 | ISO 7/1 ATEX | NPT | NPT ATEX | Peso <i>Weight</i> | |
| | | | | | | [kg] | [lbs] |
| DN 10 | 3/8" | V101N203 | V101N203YX | V101N503 | V101N503YX | 0,4 | 0,82 |
| DN 15 | 1/2" | V101N204 | V101N204YX | V101N504 | V101N504YX | 0,3 | 0,71 |
| DN 20 | 3/4" | V101N205 | V101N205YX | V101N505 | V101N505YX | 0,5 | 1,10 |
| DN 25 | 1" | V101N206 | V101N206YX | V101N506 | V101N506YX | 0,7 | 1,62 |
| DN 32 | 1" 1/4 | V101N207G | V101N207GYX | V101N507G | V101N507GYX | 1,2 | 2,64 |
| DN 40 | 1" 1/2 | V101N208G | V101N208GYX | V101N508G | V101N508GYX | 1,7 | 3,66 |
| DN 50 | 2" | V101N209 | V101N209YX | V101N509 | V101N509YX | 2,7 | 6,06 |
| DN 65 | 2" 1/2 | V101N210 | V101N210YX | V101N510 | V101N510YX | 5,7 | 12,65 |
| DN 80 | 3" | V101N211 | V101N211YX | V101N511 | V101N511YX | 9,6 | 21,21 |

| MISURA SIZE | | CON LEVA <i>WITH LEVER</i> | | | | | | |
|-------------|--------|----------------------------|--------------|-----------|-------------|--------------------|-------|---------------------------|
| DN [mm] | [in] | ISO 7/1 | ISO 7/1 ATEX | NPT | NPT ATEX | Peso <i>Weight</i> | | Kit leva <i>Lever kit</i> |
| | | | | | | [kg] | [lbs] | |
| DN 10 | 3/8" | L101N203 | L101N203YX | L101N503 | L101N503YX | 0,6 | 1,28 | KLV10103 |
| DN 15 | 1/2" | L101N204 | L101N204YX | L101N504 | L101N504YX | 0,5 | 1,19 | KLV10103 |
| DN 20 | 3/4" | L101N205 | L101N205YX | L101N505 | L101N505YX | 0,7 | 1,56 | KLV10103 |
| DN 25 | 1" | L101N206 | L101N206YX | L101N506 | L101N506YX | 0,9 | 2,08 | KLV10103 |
| DN 32 | 1" 1/4 | L101N207G | L101N207GYX | L101N507G | L101N507GYX | 1,4 | 3,10 | KLV10109 |
| DN 40 | 1" 1/2 | L101N208G | L101N208GYX | L101N508G | L101N508GYX | 1,9 | 4,10 | KLV10109 |
| DN 50 | 2" | L101N209 | L101N209YX | L101N509 | L101N509YX | 3,0 | 6,52 | KLV10109 |
| DN 65 | 2" 1/2 | L101N210 | L101N210YX | L101N510 | L101N510YX | 6,1 | 13,47 | KLV10110 |
| DN 80 | 3" | L101N211 | L101N211YX | L101N511 | L101N511YX | 10,0 | 22,02 | KLV10110 |



ITEM 101 + RACKON

CODICI 101 ISO 7/1 + ATTUATORE RACKON 101 ISO 7/1 CODES + RACKON ACTUATOR



CON ATTUATORE PNEUMATICO RACKON DOPPIO EFFETTO CON BASETTA NAMUR GAS WITH RACKON DOUBLE ACTING PNEUMATIC ACTUATOR WITH NAMUR PLATE GAS

| | MISURA SIZE | | ARTICOLO ITEM CODE | ATTUATORE ACTUATOR | KIT montaggio Mounting KIT | L | | H | | A | | B | | Peso Weight | |
|---------|-------------|--------|--------------------|---------------------|----------------------------|-------|-------|-------|------|-------|------|------|------|-------------|-------|
| | DN [mm] | [in] | | | | [mm] | [in] | [mm] | [in] | [mm] | [in] | [mm] | [in] | [Kg] | [lbs] |
| ISO 7/1 | DN 10 | 3/8" | DRK101HG003 | RK0010VOARD0003Q09G | KCF032558 | 121,7 | 4,79 | 110,5 | 4,35 | 49,0 | 1,93 | 14,0 | 0,55 | 1,3 | 2,9 |
| | DN 15 | 1/2" | DRK101HG004 | RK0010VOARD0003Q09G | KCF032558 | 121,7 | 4,79 | 110,5 | 4,35 | 49,0 | 1,93 | 14,0 | 0,55 | 1,3 | 2,9 |
| | DN 20 | 3/4" | DRK101HG005 | RK0010VOARD0003Q09G | KCF032558 | 121,7 | 4,79 | 116,5 | 4,59 | 49,0 | 1,93 | 14,0 | 0,55 | 1,4 | 3,1 |
| | DN 25 | 1" | DRK101HG006 | RK0010VOARD0003Q09G | KCF032558 | 121,7 | 4,79 | 120,0 | 4,72 | 49,0 | 1,93 | 14,0 | 0,55 | 1,6 | 3,5 |
| | DN 32 | 1" 1/4 | DRK101HG007 | RK0020VOARD0003Q11G | KCF032558 | 153,7 | 6,05 | 151,5 | 5,96 | 60,0 | 2,36 | 14,0 | 0,55 | 2,6 | 5,7 |
| | DN 40 | 1" 1/2 | DRK101HG008 | RK0040VOARD0004Q11G | KCF032558 | 180,4 | 7,10 | 170,0 | 6,69 | 73,0 | 2,87 | 14,0 | 0,55 | 3,8 | 8,4 |
| | DN 50 | 2" | DRK101HG009 | RK0040VOARD0004Q11G | KCF032558 | 180,4 | 7,10 | 177,5 | 6,99 | 73,0 | 2,87 | 14,0 | 0,55 | 4,8 | 10,6 |
| | DN 65 | 2" 1/2 | DRK101HG010 | RK0080VOARD0005Q17G | KCF072567 | 235,5 | 9,27 | 213,0 | 8,39 | 92,0 | 3,62 | 14,0 | 0,55 | 9,4 | 20,7 |
| | DN 80 | 3" | DRK101HG011 | RK0120VOARD0005Q17G | KCF072567 | 265,9 | 10,47 | 237,5 | 9,35 | 102,0 | 4,02 | 14,0 | 0,55 | 14,7 | 32,4 |

CON ATTUATORE PNEUMATICO RACKON SEMPLICE EFFETTO CON BASETTA NAMUR GAS WITH RACKON SPRING RETURN PNEUMATIC ACTUATOR WITH NAMUR PLATE GAS

| | MISURA SIZE | | ARTICOLO ITEM CODE | ATTUATORE ACTUATOR | KIT montaggio Mounting KIT | L | | H | | A | | B | | Peso Weight | |
|---------|-------------|--------|--------------------|---------------------|----------------------------|-------|-------|-------|------|-------|------|------|------|-------------|-------|
| | DN [mm] | [in] | | | | [mm] | [in] | [mm] | [in] | [mm] | [in] | [mm] | [in] | [Kg] | [lbs] |
| ISO 7/1 | DN 10 | 3/8" | SRK101HG003 | RK0020VOARS6003Q09G | KCF032558 | 153,7 | 6,05 | 130,5 | 5,14 | 60,0 | 2,36 | 14,0 | 0,55 | 1,9 | 4,2 |
| | DN 15 | 1/2" | SRK101HG004 | RK0020VOARS6003Q09G | KCF032558 | 153,7 | 6,05 | 130,5 | 5,14 | 60,0 | 2,36 | 14,0 | 0,55 | 1,9 | 4,2 |
| | DN 20 | 3/4" | SRK101HG005 | RK0020VOARS6003Q09G | KCF032558 | 153,7 | 6,05 | 136,5 | 5,37 | 60,0 | 2,36 | 14,0 | 0,55 | 2,0 | 4,4 |
| | DN 25 | 1" | SRK101HG006 | RK0020VOARS6003Q09G | KCF032558 | 153,7 | 6,05 | 140,0 | 5,51 | 60,0 | 2,36 | 14,0 | 0,55 | 2,2 | 4,9 |
| | DN 32 | 1" 1/4 | SRK101HG007 | RK0040VOARS6004Q11G | KCF032558 | 180,4 | 7,10 | 163,5 | 6,44 | 73,0 | 2,87 | 14,0 | 0,55 | 3,5 | 7,7 |
| | DN 40 | 1" 1/2 | SRK101HG008 | RK0040VOARS6004Q11G | KCF032558 | 180,4 | 7,10 | 170,0 | 6,69 | 73,0 | 2,87 | 14,0 | 0,55 | 4,0 | 8,8 |
| | DN 50 | 2" | SRK101HG009 | RK0060VOARS6005Q14G | KCF052004 | 215,4 | 8,48 | 187,5 | 7,38 | 83,0 | 3,27 | 14,0 | 0,55 | 5,9 | 13,0 |
| | DN 65 | 2" 1/2 | SRK101HG010 | RK0120VOARS6005Q17G | KCF072567 | 265,9 | 10,47 | 226,0 | 8,90 | 102,0 | 4,02 | 14,0 | 0,55 | 11,4 | 25,1 |
| | DN 80 | 3" | SRK101HG011 | RK0160VOARS6007Q22G | KCF102730 | 285,9 | 11,26 | 248,5 | 9,78 | 113,0 | 4,45 | 14,0 | 0,55 | 16,9 | 37,3 |

Dimensionamento degli attuatori pneumatici DOPPIO EFFETTO fatto considerando una pressione minima di alimentazione pari a 5,5 barg.

Dimensionamento degli attuatori pneumatici SEMPLICE EFFETTO fatto considerando una pressione minima di alimentazione pari a 6 barg.

Sizing of DOUBLE ACTING pneumatic actuators by minimum pressure rate 5,5 barg.

Sizing of SPRING RETURN pneumatic actuators by minimum pressure rate 6 barg.

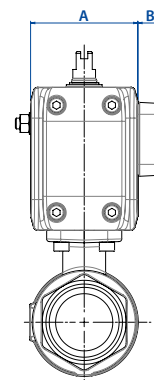
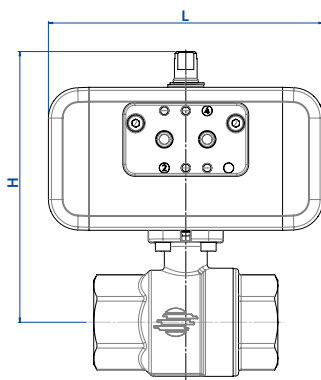
VERSIONE ATEX: Aggiungere "YX" alla fine del codice articolo. **ATEX VERSION:** Add 'YX' at the end of the item code.

BRASS BALL VALVES



ITEM 101 + RACKON

CODICI 101 NPT + ATTUATORE RACKON 101 NPT CODES + RACKON ACTUATOR



CON ATTUATORE PNEUMATICO RACKON DOPPIO EFFETTO CON BASETTA NAMUR NPT WITH RACKON DOUBLE ACTING PNEUMATIC ACTUATOR WITH NAMUR PLATE NPT

| | MISURA SIZE | | ARTICOLO ITEM CODE | ATTUATORE ACTUATOR | KIT montaggio Mounting KIT | L | | H | | A | | B | | Peso Weight | |
|-----|-------------|--------|-----------------------|-----------------------|-------------------------------|-------|-------|-------|------|-------|------|------|------|-------------|-------|
| | DN [mm] | [in] | | | | [mm] | [in] | [mm] | [in] | [mm] | [in] | [mm] | [in] | [Kg] | [lbs] |
| NPT | DN 10 | 3/8" | DRK101HN043 | RK0010VOARD0003Q09N | KCF032558 | 121,7 | 4,79 | 110,5 | 4,35 | 49,0 | 1,93 | 14,0 | 0,55 | 1,3 | 2,9 |
| | DN 15 | 1/2" | DRK101HN044 | RK0010VOARD0003Q09N | KCF032558 | 121,7 | 4,79 | 110,5 | 4,35 | 49,0 | 1,93 | 14,0 | 0,55 | 1,3 | 2,9 |
| | DN 20 | 3/4" | DRK101HN045 | RK0010VOARD0003Q09N | KCF032558 | 121,7 | 4,79 | 116,5 | 4,59 | 49,0 | 1,93 | 14,0 | 0,55 | 1,4 | 3,1 |
| | DN 25 | 1" | DRK101HN046 | RK0010VOARD0003Q09N | KCF032558 | 121,7 | 4,79 | 120,0 | 4,72 | 49,0 | 1,93 | 14,0 | 0,55 | 1,6 | 3,5 |
| | DN 32 | 1" 1/4 | DRK101HN047 | RK0020VOARD0003Q11N | KCF032558 | 153,7 | 6,05 | 151,5 | 5,96 | 60,0 | 2,36 | 14,0 | 0,55 | 2,6 | 5,7 |
| | DN 40 | 1" 1/2 | DRK101HN048 | RK0040VOARD0004Q11N | KCF032558 | 180,4 | 7,10 | 170,0 | 6,69 | 73,0 | 2,87 | 14,0 | 0,55 | 3,8 | 8,4 |
| | DN 50 | 2" | DRK101HN049 | RK0040VOARD0004Q11N | KCF032558 | 180,4 | 7,10 | 177,5 | 6,99 | 73,0 | 2,87 | 14,0 | 0,55 | 4,8 | 10,6 |
| | DN 65 | 2" 1/2 | DRK101HN050 | RK0080VOARD0005Q17N | KCF072567 | 235,5 | 9,27 | 213,0 | 8,39 | 92,0 | 3,62 | 14,0 | 0,55 | 9,4 | 20,7 |
| | DN 80 | 3" | DRK101HN051 | RK0120VOARD0005Q17N | KCF072567 | 265,9 | 10,47 | 237,5 | 9,35 | 102,0 | 4,02 | 14,0 | 0,55 | 14,7 | 32,4 |

CON ATTUATORE PNEUMATICO RACKON SEMPLICE EFFETTO CON BASETTA NAMUR NPT WITH RACKON SPRING RETURN PNEUMATIC ACTUATOR WITH NAMUR PLATE NPT

| | MISURA SIZE | | ARTICOLO ITEM CODE | ATTUATORE ACTUATOR | KIT montaggio Mounting KIT | L | | H | | A | | B | | Peso Weight | |
|-----|-------------|--------|-----------------------|-----------------------|-------------------------------|-------|-------|-------|------|-------|------|------|-------|-------------|------|
| | DN [mm] | [in] | | | | [mm] | [in] | [mm] | [in] | [mm] | [in] | [Kg] | [lbs] | | |
| NPT | DN 10 | 3/8" | SRK101HN043 | RK0020VOARS6003Q09N | KCF032558 | 153,7 | 6,05 | 130,5 | 5,14 | 60,0 | 2,36 | 14,0 | 0,55 | 1,9 | 4,2 |
| | DN 15 | 1/2" | SRK101HN044 | RK0020VOARS6003Q09N | KCF032558 | 153,7 | 6,05 | 130,5 | 5,14 | 60,0 | 2,36 | 14,0 | 0,55 | 1,9 | 4,2 |
| | DN 20 | 3/4" | SRK101HN045 | RK0020VOARS6003Q09N | KCF032558 | 153,7 | 6,05 | 136,5 | 5,37 | 60,0 | 2,36 | 14,0 | 0,55 | 2,0 | 4,4 |
| | DN 25 | 1" | SRK101HN046 | RK0020VOARS6003Q09N | KCF032558 | 153,7 | 6,05 | 140,0 | 5,51 | 60,0 | 2,36 | 14,0 | 0,55 | 2,2 | 4,9 |
| | DN 32 | 1" 1/4 | SRK101HN047 | RK0040VOARS6004Q11N | KCF032558 | 180,4 | 7,10 | 163,5 | 6,44 | 73,0 | 2,87 | 14,0 | 0,55 | 3,5 | 7,7 |
| | DN 40 | 1" 1/2 | SRK101HN048 | RK0040VOARS6004Q11N | KCF032558 | 180,4 | 7,10 | 170,0 | 6,69 | 73,0 | 2,87 | 14,0 | 0,55 | 4,0 | 8,8 |
| | DN 50 | 2" | SRK101HN049 | RK0060VOARS6005Q14N | KCF052004 | 215,4 | 8,48 | 187,5 | 7,38 | 83,0 | 3,27 | 14,0 | 0,55 | 5,9 | 13,0 |
| | DN 65 | 2" 1/2 | SRK101HN050 | RK0120VOARS6005Q17N | KCF072567 | 265,9 | 10,47 | 226,0 | 8,90 | 102,0 | 4,02 | 14,0 | 0,55 | 11,4 | 25,1 |
| | DN 80 | 3" | SRK101HN051 | RK0160VOARS6007Q22N | KCF102730 | 285,9 | 11,26 | 248,5 | 9,78 | 113,0 | 4,45 | 14,0 | 0,55 | 16,9 | 37,3 |

Dimensionamento degli attuatori pneumatici DOPPIO EFFETTO fatto considerando una pressione minima di alimentazione pari a 5,5 barg.

Dimensionamento degli attuatori pneumatici SEMPLICE EFFETTO fatto considerando una pressione minima di alimentazione pari a 6 barg.

Sizing of DOUBLE ACTING pneumatic actuators by minimum pressure rate 5,5 barg.

Sizing of SPRING RETURN pneumatic actuators by minimum pressure rate 6 barg.

VERSIONE ATEX: Aggiungere "YX" alla fine del codice articolo. ATEX VERSION: Add 'YX' at the end of the item code.





OMAL S.p.A.



Ph. +39 030 8900145 - Fax +39 030 8900423 - info@omal.it - www.omal.com

HEADQUARTERS

Via Ponte Nuovo, 11 - 25050 Rodengo Saiano (BS) ITALY

Coordinates:

Lat: 45° 35' 53" North; Lon: 10° 05' 21" East

PRODUCTION SITE

Via Brognolo, 12 - 25050 Passirano (BS) ITALY

Coordinates:

Lat: 45° 35' 51" North; Lon: 10° 05' 18" East